



MASTERColour CDM-Rm Elite Mini

MASTERColour CDM-Rm Elite Mini 35W/930 GX10 MR16 40D

Mini, very high-efficiency Ceramic Metal Halide discharge reflector lamp producing crisp white sparkling light with high color rendering

Warnings and Safety

- Use only with electronic control gear
- Control gear must include end-of-life protection (IEC61167, IEC 62035).
- A lamp breaking is extremely unlikely to have any impact on your health. If a lamp breaks, ventilate the room for 30 minutes and remove the parts, preferably with gloves. Put them in a sealed plastic bag and take it to your local waste facilities for recycling. Do not use a vacuum cleaner.

Product data

General Information			
Cap-Base	GX10 [GX10]	Beam Angle Technical (Max)	50 °
Operating Position	UNIVERSAL [Any or Universal (U)]	Beam Angle Technical (Min)	34 °
Life to 5% Failures (Nom)	9000 h	Luminous Flux (Rated) (Nom)	2420 lm
Life To 10% Failures (Nom)	10000 h	Luminous Intensity (Min)	2700 cd
Life to 20% Failures (Nom)	12000 h	Luminous Intensity (Nom)	3600 cd
Life to 50% Failures (Nom)	15000 h	Beam Description	-
ANSI Code HID	C130/O	Lumen Maintenance 12000 h (Nom)	85 %
Switching Cycle	1350X	Lumen Maintenance 2000 h (Nom)	95 %
		Lumen Maintenance 4000 h (Nom)	93 %
		Chromaticity Coordinate X (Nom)	0.439
		Chromaticity Coordinate Y (Nom)	0.403
		Correlated Color Temperature (Nom)	3000 K
		Luminous Efficacy (rated) (Nom)	61 lm/W
		Color Rendering Index (Min)	88
Light Technical			
Color Code	930 [CCT of 3000K]		
Beam Angle (Nom)	40 °		
Beam Angle Technical (Nom)	42 °		

MASTERCcolour CDM-Rm Elite Mini

Color Rendering Index (Nom)	90
LLMF At End Of Nominal Lifetime (Nom)	80 %
Luminous Flux in 90° Cone (Rated)	2150 lm

Operating and Electrical

Power (Nom)	39.1 W
Re-Ignition Time (Min) (Max)	15 min
Warm Up Time to 60% Light (Nom)	120 s
Ignition Time (Max)	30 s
Voltage (Max)	95 V
Voltage (Min)	79 V
Voltage (Nom)	87 V

Controls and Dimming

Dimmable	No
Run-Up Time 90% (Max)	3 min

Approval and Application

Energy Efficiency Label (EEL)	A
Mercury (Hg) Content (Nom)	4.7 mg
Energy Consumption kWh/1000 h	43 kWh

UV

Pet (Niosh) (Min)	8 h/500lx
-------------------	-----------

Damage Factor D/fc (Max)	0.4
--------------------------	-----

Luminaire Design Requirements

Reflector Neck Temperature (Max)	315 °C
----------------------------------	--------

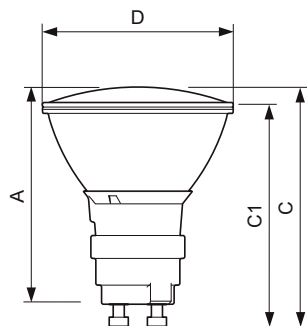
Initial Performance (IEC Compliant)

Init. Color Rendering Index	90
-----------------------------	----

Product Data

Full product code	871829116306000
Order product name	MASTERCcolour CDM-Rm Elite Mini 35W/930 GX10 MR16 40D
EAN/UPC - Product	8718291163060
Order code	928194805330
Numerator - Quantity Per Pack	1
Numerator - Packs per outer box	12
Material Nr. (12NC)	928194805330
Net Weight (Piece)	0.048 kg
ILCOS Code	MRS/UB-35/930-H-GX10-51/54.5/40

Dimensional drawing

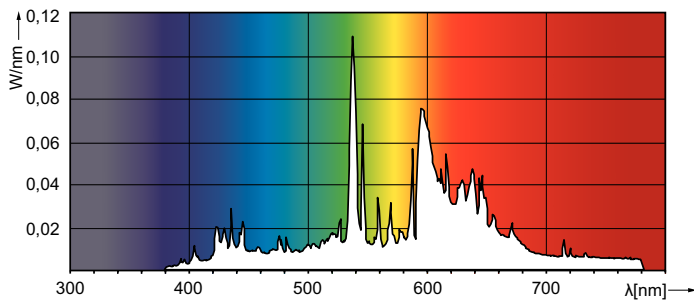
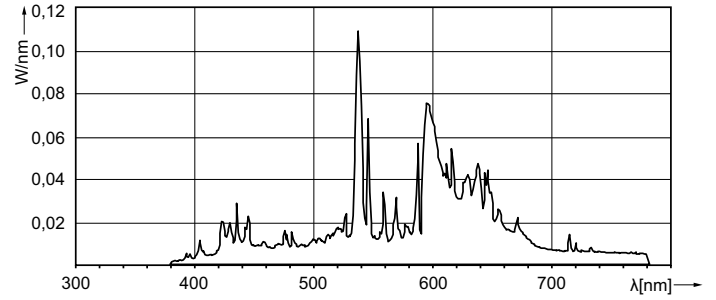
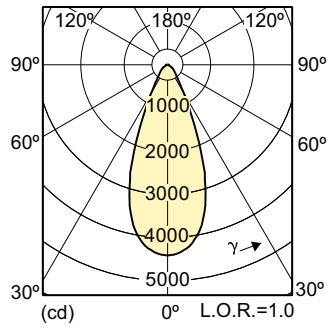


CDM-Rm 35W/930 GX10 MR16 40D

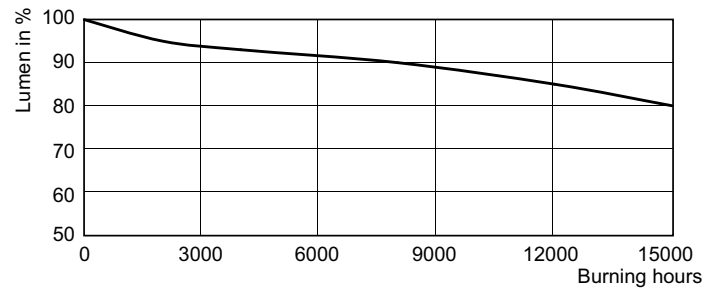
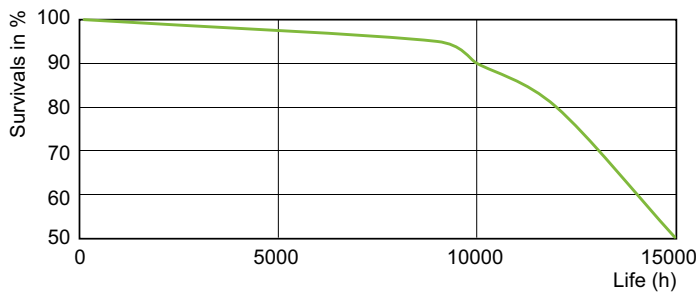
Product	D (max)	D	C (max)	C	C1 (max)	A (max)
MASTERCcolour CDM-Rm	51 mm	50	65.4 mm	62.75	60.9 mm	59 mm
Elite Mini 35W/930 GX10		mm		mm		
MR16 40D						

MASTERCoulour CDM-Rm Elite Mini

Photometric data



Lifetime



LDLE_CDM-Rm_35W_930-Life expectancy diagram

CDM-Rm 20W, 35W GX10 MR16

MASTERCcolour CDM-Rm Elite Mini

