



MASTERColour CDM-Rm Elite Mini



CDM-Rm Elite Mini 20W/830 GX10 MR16 10D

Mini, very high-efficiency Ceramic Metal Halide discharge reflector lamp producing crisp white sparkling light with high color rendering

Warnings and Safety

- Use only with electronic control gear
- Control gear must include end-of-life protection (IEC61167, IEC 62035).
- A lamp breaking is extremely unlikely to have any impact on your health. If a lamp breaks, ventilate the room for 30 minutes and remove the parts, preferably with gloves. Put them in a sealed plastic bag and take it to your local waste facilities for recycling. Do not use a vacuum cleaner.

Product data

General Information		Color rendering index (CRI)	
Cap-Base	GX10 [GX10]		84
Operating Position	UNIVERSAL [Any or Universal (U)]	LLMF At End Of Nominal Lifetime (Nom)	70 %
Switching Cycle	1,350	Luminous Flux in 90° Cone (Rated)	880 lumen
Flux measurement reference	Narrow Cone	Operating and Electrical	
Life to 50% Failures (Nom)	15,000 hour(s)	Power Consumption	20.1 W
Light Technical		Warm-up time to 60% light	120 s
Color Code	830 [CCT of 3000K]	Voltage (Nom)	95 V
Beam Angle (Nom)	10 degree(s)	Voltage (Nom)	95 V
Luminous Flux	880 lumen	Controls and Dimming	
Luminous Intensity (Nom)	14,500 cd	Dimmable	No
Chromaticity Coordinate X (Nom)	0.434	Mechanical and Housing	
Chromaticity Coordinate Y (Nom)	0.398	Bulb Shape	MR16 [2inch/50mm]
Correlated Color Temperature (Nom)	3000 K		
Luminous Efficacy (rated) (Nom)	49 lm/W		

MASTERCLOUR CDM-Rm Elite Mini

Approval and Application

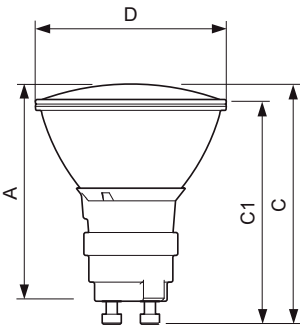
Energy Efficiency Class	G
Mercury (Hg) Content (Max)	3.5 mg
Mercury (Hg) Content (Nom)	3.5 mg
Energy Consumption kWh/1000 h	21 kWh
EPREL Registration Number	473266

Product Data

Full product code	871829120274500
-------------------	-----------------

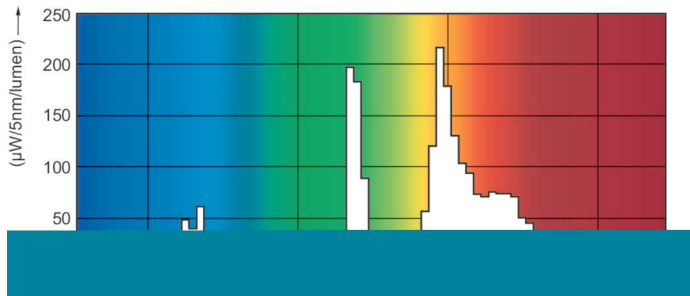
Order product name	CDM-Rm Elite Mini 20W/830 GX10 MR16 10D
Order code	928191005331
Numerator - Quantity Per Pack	1
Numerator - Packs per outer box	12
Material Nr. (12NC)	928191005331
Full product name	CDM-Rm Elite Mini 20W/830 GX10 MR16 10D
EAN/UPC - Case	8718291202752

Dimensional drawing

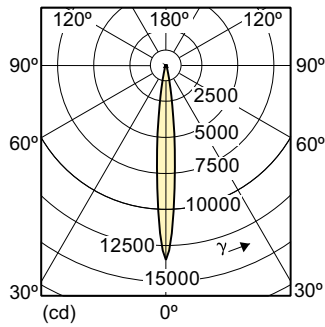


Product	D (max)	D	C (max)	C	C1 (max)	A (max)
CDM-Rm Elite Mini 20W/830 GX10 MR16 10D	51 mm	50 mm	65.4 mm	62.75 mm	60.9 mm	59 mm

Photometric data



Spectral Power Distribution Colour - CDM-Rm Elite Mini 20W/830 GX10 MR16 10D



Light Distribution Diagram - CDM-Rm Elite Mini 20W/830 GX10 MR16 10D

MASTERC colour CDM-Rm Elite Mini

Lifetime



Life Expectancy Diagram - CDM-Rm Elite Mini 20W/830 GX10 MR16 10D

Lumen Maintenance Diagram - CDM-Rm Elite Mini 20W/830 GX10 MR16 10D

