



MASTERColour CDM-Tm Elite Mini

MASTERColour CDM-Tm Elite Mini 35W/930 GU6.5 1CT

Mini, single-ended, very high-efficiency, long-life Ceramic Metal Halide discharge lamp producing crisp white sparkling light with high color rendering

Warnings and Safety

- Use only in totally enclosed luminaire, even during testing (IEC61167, IEC 62035, IEC60598)
- The luminaire must be able to contain hot lamp parts if the lamp ruptures
- Use only with electronic control gear
- For 50W use with Philips electronic gear only
- Control gear must include end-of-life protection (IEC61167, IEC 62035)
- A lamp breaking is extremely unlikely to have any impact on your health. If a lamp breaks, ventilate the room for 30 minutes and remove the parts, preferably with gloves. Put them in a sealed plastic bag and take it to your local waste facilities for recycling. Do not use a vacuum cleaner.

Product data

General Information	
Cap-Base	GU6.5 [GU6.5]
Operating Position	UNIVERSAL [Any or Universal (U)]
Life to 5% Failures (Nom)	12000 h
Life To 10% Failures (Nom)	14000 h
Life to 20% Failures (Nom)	16000 h
Life to 50% Failures (Nom)	20000 h
ANSI Code HID	C130/E
Light Technical	
Color Code	930 [CCT of 3000K]

Luminous Flux (Rated) (Min)	3600 lm
Luminous Flux (Rated) (Nom)	4000 lm
Color Designation	Warm White (WW)
Lumen Maintenance 1000 h (Nom)	95 %
Lumen Maintenance 12000 h (Nom)	80 %
Lumen Maintenance 2000 h (Nom)	93 %
Lumen Maintenance 4000 h (Nom)	90 %
Chromaticity Coordinate X (Nom)	0.435
Chromaticity Coordinate Y (Nom)	0.396
Correlated Color Temperature (Nom)	3000 K
Luminous Efficacy (rated) (Nom)	102 lm/W

MASTERCcolour CDM-Tm Elite Mini

Color Rendering Index (Min)	87
Color Rendering Index (Nom)	90

Operating and Electrical

Power (Nom)	39.1 W
Lamp Current Run-Up (Max)	1 A
Re-Ignition Time (Min) (Max)	15 min
Ignition Time (Max)	30 s
Voltage (Max)	95 V
Voltage (Min)	79 V
Voltage (Nom)	87 V

Controls and Dimming

Dimmable	No
Run-Up Time 90% (Max)	3 min

Mechanical and Housing

Bulb Finish	Clear
-------------	-------

Approval and Application

Energy Efficiency Label (EEL)	A+
Mercury (Hg) Content (Nom)	4.7 mg
Energy Consumption kWh/1000 h	43 kWh

UV

Pet (Niosh) (Min)	8 h/500lx
Damage Factor D/fc (Max)	0.4

Luminaire Design Requirements

Bulb Temperature (Max)	450 °C
Cap-Base Temperature (Max)	250 °C

Product Data

Full product code	871829115382500
Order product name	MASTERCcolour CDM-Tm Elite Mini 35W/930 GU6.5 1CT
EAN/UPC - Product	8718291153825
Order code	928187405130
Numerator - Quantity Per Pack	1
Numerator - Packs per outer box	12
Material Nr. (12NC)	928187405130
Net Weight (Piece)	0.008 kg
ILCOS Code	MT/UB-35/930-H-GU6.5-13.3/52

Dimensional drawing

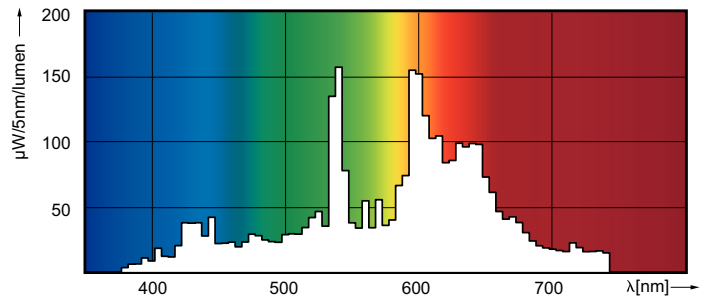
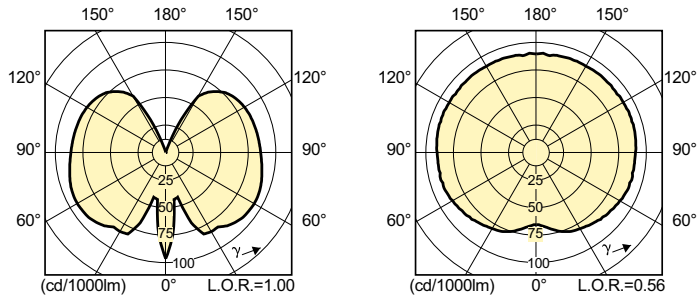
D

Product	D (max)	D	O	L (min)	L (max)	L	C (max)
MASTERCcolour CDM-Tm Elite Mini 35W/930	13.3 mm	0.5 in	4.7 mm	28 mm	32 mm	30 mm	56.7 mm
GU6.5 1CT							

CDM-Tm 35W/930 GU6.5

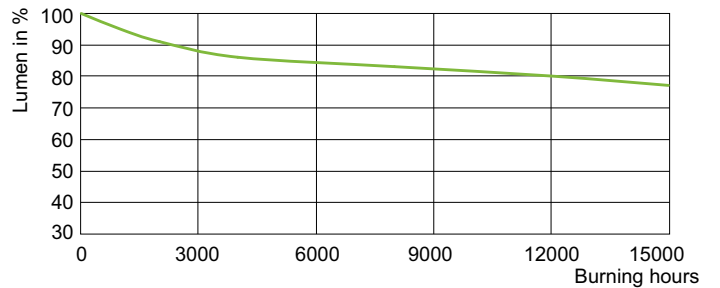
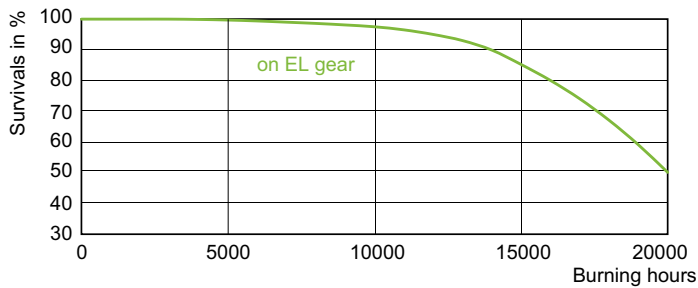
MASTERCoulour CDM-Tm Elite Mini

Photometric data



LDPO_CDM-Tm_35W_930_GU65-Spectral power distribution Colour

Lifetime



LDLM_CDM-Tm_0001-Lumen maintenance diagram

