

MSR Gold™ MiniFastFit (Touring/Stage)

MSR Gold™ 575/2 MiniFastFit 1CT



Thanks to the specially designed lamp base, the MSR Gold™ MiniFastFit takes just seconds to replace, to help ensure non-stop clubbing entertainment. In addition, the innovative gold plated pins ensure excellent current transfer to prolong lamp and lamp holder lifetimes and thereby reduce lamp replacement costs. Easy handling and small compact fixture designs are allowed by the lamps compact size, while the very short arc provides a high perceived brightness and high beam intensity.

Product data

• General Characteristics

System Description	MiniFastFit
Cap-Base	PGJX28
Cap-Base Information	PGJX28
Execution	-
Operating Position	any
Main Application	Entertainment
Life to 50% failures EM	750 hr

• Light Technical Characteristics

Color Code	2
Color Rendering Index	70 Ra8
Color Temperature	7500 K
Color Temperature Technical	7500 K
Chromaticity Coordinate X	296 -
Chromaticity Coordinate Y	315 -
Luminous Flux Lamp EM	38600 Lm
Luminous Efficacy Lamp EM	63 Lm/W

• Electrical Characteristics

Lamp Wattage	575 W
Lamp Wattage Technical	575 W
Lamp Current	10.2 A
Ignition Supply Voltage	198 (min) V

Dimmable Yes

• Luminaire Design Requirements

Pinch Temperature	300 (min), 400 (max) C
Bulb Temperature	950 (max) C

• Product Dimensions

Overall Length C	112 (max) mm
Diameter D	23.2 (max) mm
Width F	35.3 (min), 36 (nom), 36.5 (max) mm
Light Center Length L	55 (min), 56 (nom), 57 (max) mm
Arc Length O	3.5 mm

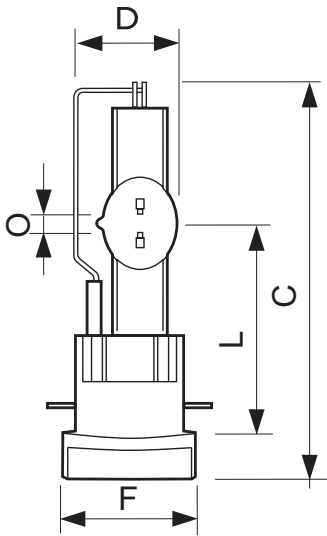
• Product Data

Order code	928184005115
Full product code	928184005115
Full product name	MSR Gold™ 575/2 MiniFastFit 1CT
Order product name	MSR Gold 575/2 MiniFastFit 1CT/4
Pieces per pack	1
Packing configuration	4
Packs per outerbox	4
Bar code on pack - EAN1	8718291221098
Bar code on outerbox - EAN3	8718291221104
Logistic code(s) - 12NC	928184005115
Net weight per piece	0.070 kg

PHILIPS

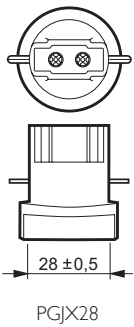
MSR Gold™ MiniFastFit (Touring/Stage)

Dimensional drawing

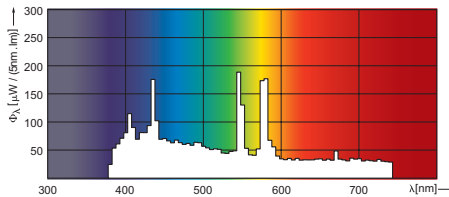
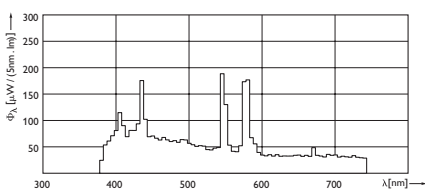


MSR Gold™ 575/2 MiniFastFit 1CT

Product	A (Min)	A (Norm)	A (Max)	C (Max)	D (Max)	D1 (Norm)	F (Min)	F (Norm)	F (Max)	L (Min)	L (Norm)	L (Max)	O (Norm)
MSR GOLD 575/2 MiniFastFit	-	-	-	112	23.2	-	35.3	36	36.5	55	56	57	3.5



Photometric data



MSR Gold™ 575/2 MiniFastFit, MSR Gold™ 700/2 MiniFastFit MSR Gold™ 575/2 MiniFastFit, MSR Gold™ 700/2 MiniFastFit



© 2014 Koninklijke Philips N.V. (Royal Philips)
All rights reserved.

Specifications are subject to change without notice. Trademarks are the property of Koninklijke Philips N.V. (Royal Philips) or their respective owners.

www.philips.com/lighting

2014, October 31
data subject to change