



MASTERColour CDM-R Elite

MASTERColour CDM-R Elite 35W/930 E27 PAR30L 10D

Compact, very high-efficiency, long-life Ceramic Metal Halide discharge reflector lamp producing crisp white sparkling light with high color rendering

Product data

• General Characteristics

Cap-Base	E27
Bulb	PAR30L [PAR 3.75 inch/95mm Long]
Bulb Finish	Clear
Operating Position	any [Any or Universal (U)]
Life to 5% failures EM	5000 hr
Life to 5% failures EL	9000 hr
Life to 10% failures EM	5500 hr
Life to 10% failures EL	10000 hr
Life to 20% failures EM	6000 hr
Life to 20% failures EL	12000 hr
Life to 50% failures EM	8000 hr
Life to 50% failures EL	15000 hr

• Light Technical Characteristics

Beam Description	Spot
Beam Angle	10 D
Beam Angle Technical	9 D
Luminous Intensity	49000 cd
Color Code	930 [CCT of 3000K]
Color Rendering Index	88 (min), 91 (nom) Ra8
Color Designation (text)	Warm White
Color Temperature	3000 K
Color Temperature Technical	2950 K
Forward Luminous Output	2700 Lm

Forward Luminous Efficacy	69 Lm/W
LLMF - end nominal lifetime	80 %
Forward Lum Maintenance 2000h	94 %
Forward Lum Maintenance 4000h	90 %
Forward Lum Maintenance 8000h	86 %
Forward Lum Maintenance 12000h	82 %
Forward Lum Maintenance 15000h	80 %
Design Mean Lumens	2000 Lm
Chromaticity Coordinate X	0.437 -
Chromaticity Coordinate Y	0.400 -
Luminous flux in 90° cone	2400 Lm

• Electrical Characteristics

System Power EM	47 W
System Power EL	43 W
Lamp Wattage	35 W
Lamp Wattage EM 25°C, Rated	35 W
Lamp Wattage EM 40.0 W	40.0 W
Lamp Wattage EL 25°C, Rated	35 W
Lamp Wattage EL 39.0 W	39.0 W
Lamp Voltage	88 V
Lamp Current EM	0.450 A
Lamp Current EL	0.450 A
Ignition Time	30 (max) s

PHILIPS

MASTERColour CDM-R Elite

Run-up time 90%	3 (max) min
Re-ignition Time [min]	15 (max) min
Dimmable	No
Warm-up Time to 60% Light Outp	120 s

• Environmental Characteristics

Energy Efficiency Label (EEL)	A
Mercury (Hg) Content	4.7 mg
Energy consumption kWh/1000h	43 kWh

• Measuring Conditions

Switching cycle	1350X
-----------------	-------

• Luminaire Design Requirements

Cap-Base Temperature	200 (max) C
Bulb Temperature	300 (max) C

• Product Dimensions

Overall Length C	123 (max) mm
Diameter D	97 (max) mm
Overall Length C [inch]	4.84 (max) in

• Product Data

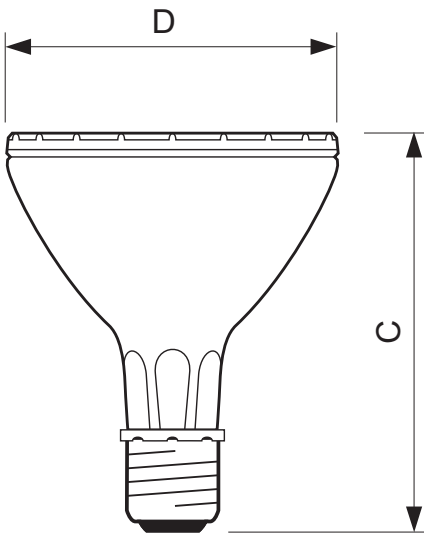
Order code	928108100630
Full product code	928108100630
Full product name	MASTERColour CDM-R Elite 35W/930 E27 PAR30L 10D
Order product name	MC CDM-R Elite 35W/930 E27 PAR30L 10D
Pieces per pack	1
Packing configuration	6
Packs per outerbox	6
Bar code on pack - EAN1	8718291241928
Bar code on outerbox - EAN3	8718291241935
Logistic code(s) - 12NC	928108100630
ILCOS code	MRS/UB-35/930-H-E27-95/125/10
Net weight per piece	0.220 kg

Warnings and Safety

- Use only with electronic control gear
- Control gear must include end-of-life protection (IEC61167, IEC 62035)

- A lamp breaking is extremely unlikely to have any impact on your health. If a lamp breaks, ventilate the room for 30 minutes and remove the parts, preferably with gloves. Put them in a sealed plastic bag and take it to your local waste facilities for recycling. Do not use a vacuum cleaner.

Dimensional drawing



MASTERColour CDM-R Elite 35W/930 E27 PAR30L 10D

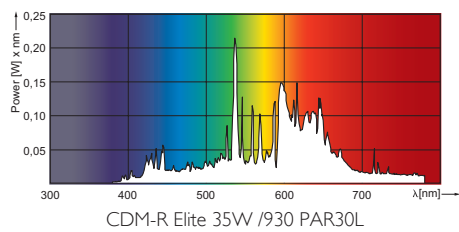
Product	C (Max)	D (Max)
CDM-R Elite 35W/930 E27 PAR30L 10D	123	97

Dimensional drawing



E27

Photometric data



© 2014 Koninklijke Philips N.V. (Royal Philips)
All rights reserved.

Specifications are subject to change without notice. Trademarks are the property of Koninklijke Philips N.V. (Royal Philips) or their respective owners.

www.philips.com/lighting

2014, October 22
data subject to change