

# MASTERCcolour CDM-TC

MASTERCcolour CDM-TC - 70W/842 G8.5 1CT

Range of single-ended, very compact, high-efficiency, discharge lamps with a stable color over lifetime and a crisp, sparkling light



## Product data

### • General Characteristics

Cap-Base	G8.5
Bulb	T14 [T 14 mm]
Bulb Material	UV-Block Quartz
Bulb Finish	Clear
Operating Position	any [Any or Universal (U)]
Life to 5% failures EL	6000 hr
Life to 10% failures EL	8000 hr
Life to 20% failures EL	9000 hr
Life to 50% failures EL	12000 hr

### • Light Technical Characteristics

Color Code	842 [CCT of 4200K]
Color Rendering Index	86 (min), 89 (nom) Ra8
Color Designation (text)	Cool White
Color Temperature	4200 K
Color Temperature Technical	4200 K
Luminous Flux Lamp EL	5800 Lm
Luminous Efficacy Lamp EL	79 Lm/W
Lumen Maintenance EL 2000h	80 %
Lumen Maintenance EL 5000h	75 %
Lumen Maintenance EL 10000h	65 %
Design Mean Lumens EL	4300 Lm

Chromaticity Coordinate X	0.362 -
Chromaticity Coordinate Y	0.363 -

### • Electrical Characteristics

Lamp Wattage	70 W
Lamp Wattage EL 25°C, Rated	73.0 W
Lamp Wattage EL 25°C, Nominal	70.0 W
Lamp Voltage	88 V
Lamp Current EL	0.830 A
Ignition Time	30 (max) s
Run-up time 90%	3 (max) min
Re-ignition Time [min]	15 (max) min
Dimmable	No

### • Environmental Characteristics

Energy Efficiency Label (EEL)	A+
Mercury (Hg) Content	7 mg
Energy consumption kWh/1000h	80 kWh

### • UV-related Characteristics

Damage Factor D/fc PET (NIOSH)	0.5 (max) - 8 (min) h500lx
--------------------------------	----------------------------

### • Luminaire Design Requirements

Pinch Temperature	300 (max) C
-------------------	-------------

**PHILIPS**

# MASTERCcolour CDM-TC

Bulb Temperature 700 (max) C

## • Product Dimensions

Overall Length C 85 (max) mm  
 Diameter D 15 (max) mm  
 Light Center Length L 51 (min), 52 (nom), 53 (max) mm  
 Arc Length O 5 mm  
 Light Center Length L [inch] 2 in  
 Overall Length C [inch] 3.34375 (max) in

## • Product Data

Order code 928094605131

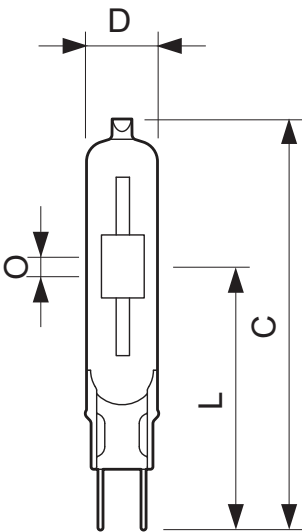
Full product code 928094605131  
 Full product name MASTERCcolour CDM-TC - 70W/842 G8.5 1CT  
 Order product name MASTERC CDM-TC - 70W/842 G8.5 1CT/12  
 Pieces per pack 1  
 Packing configuration 12  
 Packs per outerbox 12  
 Bar code on pack - EAN1 8711500212757  
 Bar code on outerbox - EAN3 8711500212764  
 Logistic code(s) - 12NC 928094605131  
 ILCOS code MT/UB-70/842-H-G8.5-17/85  
 Net weight per piece 0.010 kg

## Warnings and Safety

- Use only in totally enclosed luminaire, even during testing (IEC61167, IEC 62035, IEC60598)
- The luminaire must be able to contain hot lamp parts if the lamp ruptures

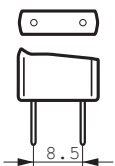
- Control gear must include end-of-life protection (IEC61167, IEC 62035)
- Use only with electronic control gear. 35W/830 lamps may also use electromagnetic gear.

## Dimensional drawing



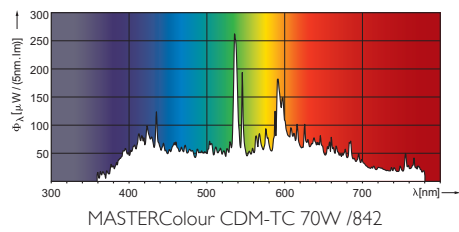
## MASTERCcolour CDM-TC - 70W/842 G8.5 1CT

Product	C (Max)	D (Max)	L (Min)	L (Norm)	L (Max)	O (Norm)
CDM-TC 70W/842 G8.5	85	15	51	52	53	5



G8.5

## Photometric data



© 2014 Koninklijke Philips N.V. (Royal Philips)  
All rights reserved.

Specifications are subject to change without notice. Trademarks are the property of Koninklijke Philips N.V. (Royal Philips) or their respective owners.

[www.philips.com/lighting](http://www.philips.com/lighting)

2014, April 10  
data subject to change