



MASTERColour CDM-T

MASTERColour CDM-T 250W/830 G12 1CT/12

Range of single-ended, compact, high-efficiency, discharge lamps with a stable color over lifetime and a crisp, sparkling light

Warnings and Safety

- Use only in totally enclosed luminaire, even during testing (IEC61167, IEC 62035, IEC60598)
- The luminaire must be able to contain hot lamp parts if the lamp ruptures
- Control gear must include end-of-life protection (IEC61167, IEC 62035)
- Lamps may use electronic or electromagnetic control gear, except 35W/942 and 20W lamps, which must use electronic control gear.
- A lamp breaking is extremely unlikely to have any impact on your health. If a lamp breaks, ventilate the room for 30 minutes and remove the parts, preferably with gloves. Put them in a sealed plastic bag and take it to your local waste facilities for recycling. Do not use a vacuum cleaner.

Product data

General Information	
Cap-Base	G12 [G12]
Operating Position	UNIVERSAL [Any or Universal (U)]
Life to 5% Failures (Nom)	3500 h
Life To 10% Failures (Nom)	10000 h
Life to 20% Failures (Nom)	12000 h
Life to 50% Failures (Nom)	15000 h
ANSI Code HID	-
Light Technical	
Color Code	830 [CCT of 3000K]
Luminous Flux (Rated) (Min)	24780 lm
Luminous Flux (Rated) (Nom)	27750 lm

Color Designation	Warm White (WW)
Lumen Maintenance 10000 h (Nom)	92 %
Lumen Maintenance 2000 h (Nom)	98 %
Lumen Maintenance 5000 h (Nom)	97 %
Chromaticity Coordinate X (Nom)	0.435
Chromaticity Coordinate Y (Nom)	0.393
Correlated Color Temperature (Nom)	3000 K
Luminous Efficacy (rated) (Nom)	111 lm/W
Color Rendering Index (Nom)	85
Ratio Scotopic/Photopic Lumens	1.30
Operating and Electrical	
Power (Nom)	250.0 W

MASTERCcolour CDM-T

Lamp Current Run-Up (Max)	6 A
Lamp Current (EM) (Nom)	2.99 A
Ignition Supply Voltage (Max)	198 V
Ignition Peak Voltage (Max)	5000 V
Ignition Supply Voltage (Min)	198 V
Ignition Peak Voltage (Min)	3500 V
Re-Ignition Time (Min) (Max)	15 min
Ignition Time (Max)	30 s
Voltage (Max)	103 V
Voltage (Min)	87 V
Voltage (Nom)	95 V

Controls and Dimming

Dimmable	No
Run-Up Time 90% (Max)	3 min

Mechanical and Housing

Bulb Finish	Clear
-------------	-------

Approval and Application

Energy Efficiency Label (EEL)	A+
Mercury (Hg) Content (Nom)	27.5 mg
Energy Consumption kWh/1000 h	274 kWh

UV

Pet (Niosh) (Min)	8 h/500lx
Damage Factor D/fc (Nom)	0.15

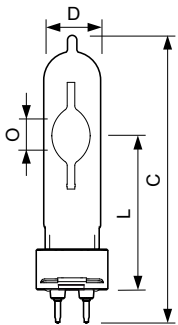
Luminaire Design Requirements

Bulb Temperature (Max)	700 °C
Cap-Base Temperature (Max)	280 °C
Pinch Temperature (Max)	350 °C

Product Data

Full product code	871150020801915
Order product name	MASTERCcolour CDM-T 250W/830 G12 1CT/12
EAN/UPC - Product	8711500208019
Order code	928089805131
Numerator - Quantity Per Pack	1
Numerator - Packs per outer box	12
Material Nr. (12NC)	928089805131
Net Weight (Piece)	0.039 kg
ILCOS Code	MT/UB-250/830-H-G12-25/135

Dimensional drawing

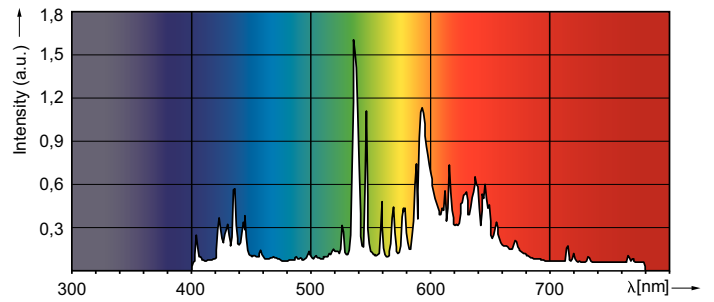
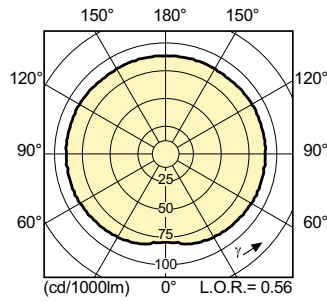
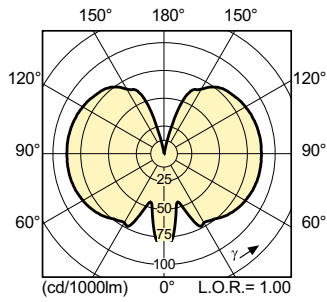


CDM-T 250W/830 G12

Product	D (max)	O	L (min)	L (max)	L	C (max)
MASTERCcolour CDM-T 250W/830 G12 1CT/12	25 mm	12.3 mm	71.5 mm	73.5 mm	72.5 mm	135 mm

MASTERCoulour CDM-T

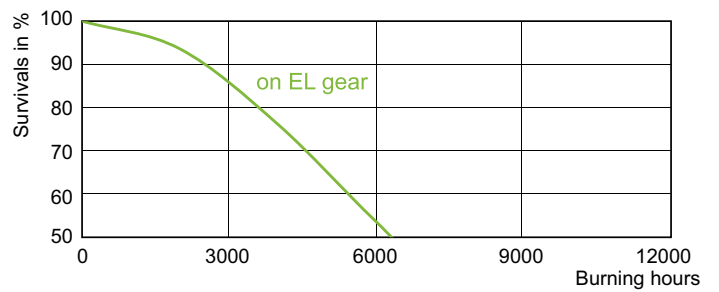
Photometric data



LDLD_CDM-T_0007-Light distribution diagram

LDPO_CDM-T_250W_830-Spectral power distribution Colour

Lifetime



LDLE_CDM-T_250W_830-Life expectancy diagram

