



MASTERColour CDM-R Elite

MASTERColour CDM-R Elite 70W/942 E27 PAR30L 10D

Compact, very high-efficiency, long-life Ceramic Metal Halide discharge reflector lamp producing crisp white sparkling light with high color rendering

Product data

• General Characteristics

Cap-Base	E27
Bulb	PAR30L [PAR 3.75 inch/95mm Long]
Bulb Finish	Clear
Operating Position	any [Any or Universal (U)]
Life to 5% failures EL	9000 hr
Life to 10% failures EL	10000 hr
Life to 20% failures EL	12000 hr
Life to 50% failures EL	15000 hr

• Light Technical Characteristics

Beam Description	Spot
Beam Angle	10 D
Beam Angle Technical	9 (min), 11 (nom), 13 (max) D
Luminous Intensity	48000 cd
Color Code	942 [CCT of 4200K]
Color Rendering Index	89 (min), 92 (nom) Ra8
Color Designation (text)	Cool White
Color Temperature	4200 K
Color Temperature Technical	4200 K
Luminous Flux Lamp EL	5050 Lm
Forward Luminous Output	4550 (min), 5050 (nom) Lm
Forward Luminous Efficacy	69 Lm/W
LLMF - end nominal lifetime	75 %

Forward Lum Maintenance 2000h	90 %
Forward Lum Maintenance 4000h	84 %
Forward Lum Maintenance 8000h	80 %
Forward Lum Maintenance 12000h	77 %
Forward Lum Maintenance 15000h	75 %
Design Mean Lumens	4200 Lm
Chromaticity Coordinate X	0.372 -
Chromaticity Coordinate Y	0.369 -
Luminous flux in 90° cone	4500 Lm

• Electrical Characteristics

System Power EL	80 W
Lamp Wattage	70 W
Lamp Wattage EL	70 W
Lamp Wattage EL 25°C, Rated	73 W
Lamp Voltage	90 V
Lamp Current EL	0.810 A
Ignition Time	30 (max) s
Run-up time 90%	3 (max) min
Re-ignition Time [min]	15 (max) min
Dimmable	No
Warm-up Time to 60% Light Outp	120 s

PHILIPS

MASTERColour CDM-R Elite

• Environmental Characteristics

Energy Efficiency Label (EEL)	A
Mercury (Hg) Content	6.5 mg
Energy consumption kWh/1000h	80 kWh

• Measuring Conditions

Switching cycle	1350X
-----------------	-------

• Luminaire Design Requirements

Cap-Base Temperature	200 (max) C
Bulb Temperature	300 (max) C

• Product Dimensions

Overall Length C	123 (max) mm
Diameter D	97 (max) mm

Overall Length C [inch] 4.84 (max) in

• Product Data

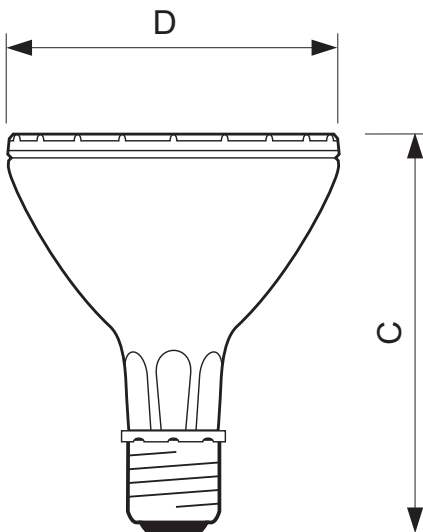
Order code	928052900630
Full product code	928052900630
Full product name	MASTERColour CDM-R Elite 70W/942 E27 PAR30L 10D
Order product name	MC CDM-R Elite 70W/942 E27 PAR30L 10D
Pieces per pack	1
Packing configuration	6
Packs per outerbox	6
Bar code on pack - EAN1	8718291651659
Bar code on outerbox - EAN3	8718291651666
Logistic code(s) - 12NC	928052900630
Net weight per piece	0.225 kg

Warnings and Safety

- Use only with electronic control gear
- Control gear must include end-of-life protection (IEC61167, IEC 62035)

- A lamp breaking is extremely unlikely to have any impact on your health. If a lamp breaks, ventilate the room for 30 minutes and remove the parts, preferably with gloves. Put them in a sealed plastic bag and take it to your local waste facilities for recycling. Do not use a vacuum cleaner.

Dimensional drawing

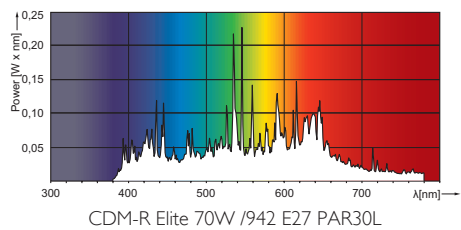


E27

MASTERColour CDM-R Elite 70W/942 E27 PAR30L 10D

Product	C (Max)	D (Max)
CDM-R Elite 70W/942 E27 PAR30L 10D	123	97

Photometric data



© 2014 Koninklijke Philips N.V. (Royal Philips)
All rights reserved.

Specifications are subject to change without notice. Trademarks are the property of Koninklijke Philips N.V. (Royal Philips) or their respective owners.

www.philips.com/lighting

2014, November 10
data subject to change