



# MASTER PL-S 2 Pin

## MASTER PL-S 11W/827/2P 1CT

MASTER PL-S is an efficient low-wattage compact fluorescent lamp, typically used for decorative and orientation purposes. The original Philips-invented bridge technology guarantees optimum performance in the application, enabling more light and higher efficacy than the bended technology. The 2-pin version is designed for operation on electromagnetic gear and is provided with a plug-in/pull-out lamp base

### Product data

#### • General Characteristics

Cap-Base	G23 [Two-Pin Compact Fluorescent; low preheat current; two retainers]
Cap-Base Information	2P
Life to 10% failures EM	6500 hr
Life to 50% failures EM	10000 hr
LSF EM 2000h Rated, 3h cycle	99 %
LSF EM 4000h Rated, 3h cycle	98 %
LSF EM 6000h Rated, 3h cycle	95 %
LSF EM 8000h Rated, 3h cycle	86 %

#### • Light Technical Characteristics

Color Code	827 [CCT of 2700K]
Color Rendering Index	82 Ra8
Color Designation (text)	Incandescent White
Color Temperature	2700 K
Luminous Flux EM 25°C, Rated	893 Lm
Luminous Flux EM 25°C, Nominal	900 Lm
Lum Efficacy Rated EM 25°C	77 Lm/W
LLMF EM 2000h Rated	94 %
LLMF EM 4000h Rated	91 %
LLMF EM 6000h Rated	89 %

LLMF EM 8000h Rated	86 %
Design Temperature	28 C
Chromaticity Coordinate X	455 -
Chromaticity Coordinate Y	417 -

#### • Electrical Characteristics

Lamp Wattage	11 W
Lamp Wattage EM 25°C, Nominal	11 W
Lamp Wattage EM 25°C, Rated	11.6 W
Lamp Voltage EM 25°C	91 V
Lamp Current EM 25°C	0.155 A
Dimmable	No

#### • Environmental Characteristics

Energy Efficiency Label (EEL)	A
Mercury (Hg) Content	1.4 mg
Energy consumption kWh/1000h	15 kWh

#### • Product Dimensions

Base Face to Base Face A	198 (max) mm
Insertion Length B	214 (max) mm
Overall Length C	235.8 (max) mm
Diameter D	28 (max) mm



# MASTER PL-S 2 Pin

Diameter D1 13 (max) mm

• **Product Data**

Order code 927936482711  
 Full product code 927936482711  
 Full product name MASTER PL-S 11W/827/2P 1CT  
 Order product name MASTER PL-S 11W/827/2P 1CT/  
 5X10BOX  
 Pieces per pack 1  
 Packing configuration 5X10CC  
 Packs per outerbox 50

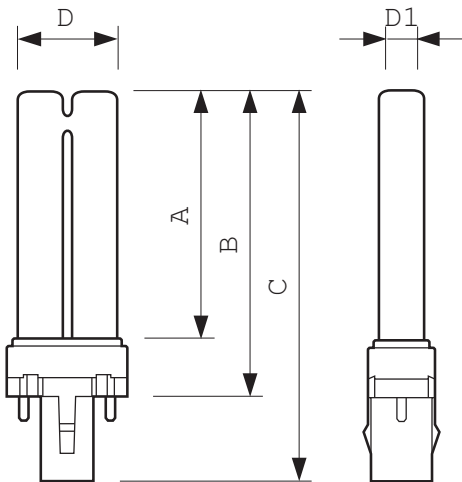
Bar code on pack - EAN1 8711500261014  
 Bar code on intermediate packing - EAN2 8711500261021  
 Bar code on outerbox - EAN3 8711500261038  
 Logistic code(s) - 12NC 927936482711  
 ILCOS code FSD-11/27/1B-I-G23  
 Net weight per piece 43.000 gr

## Warnings and Safety

- Use only with electromagnetic control gear
- Lamp light technical and electrical characteristics are influenced by operating conditions, i.e. lamp ambient temperature and operating position

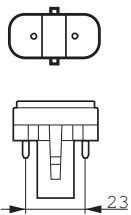
- Dimming is not possible

## Dimensional drawing



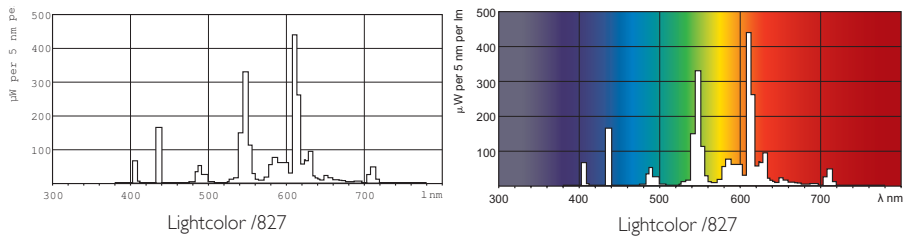
### MASTER PL-S 11W/827/2P 1CT

Product	A (Max)	B (Max)	C (Max)	D (Max)	D1 (Max)
PL-S 11W/827/2P LM	198	214	235.8	28	13



G23

Photometric data



© 2014 Koninklijke Philips N.V. (Royal Philips)  
All rights reserved.

Specifications are subject to change without notice. Trademarks are the property of Koninklijke Philips N.V. (Royal Philips) or their respective owners.

[www.philips.com/lighting](http://www.philips.com/lighting)

2014, April 11  
data subject to change