



MASTER PL-T TOP 4 Pin

MASTER PL-T TOP 42W/830/4P 1CT

MASTER PL-T TOP is an efficient compact fluorescent lamp, typically used in general downlights for retail, hospitality and office applications demanding higher lighting levels. The Philips amalgam technology guarantees optimum performance in applications with a wide temperature range, enabling significantly higher output and efficacy levels. The 4-pin version is designed for operation on electronic gear and is provided with a plug-in/pull-out lamp base.

Product data

• General Characteristics

Cap-Base	GX24q-4
Cap-Base Information	4P
Life to 10% fail Preheat EL,3h	8000 hr
Life to 10% fail Nonpreh EL,3h	4500 hr
Life to 50% fail Preheat EL,3h	13000 hr
Life to 50% fail Nonpreh EL,3h	7000 hr
LSF HF Preheat 2000h Rated,3h	99 %
LSF HF Preheat 4000h Rated,3h	98 %
LSF HF Preheat 6000h Rated,3h	97 %
LSF HF Preheat 8000h Rated,3h	90 %
LSF HF Preheat 12000h Rated,3h	60 %

• Light Technical Characteristics

Color Code	830 [CCT of 3000K]
Color Rendering Index	82 Ra8
Color Designation (text)	Warm White
Color Temperature	3000 K
Luminous Flux EL 25°C, Rated	3050 Lm
Luminous Flux EL 25°C, Nominal	3200 Lm
Lum Efficacy Rated HF 25°C	80 (min) Lm/W

LLMF HF 2000h Rated	92 %
LLMF HF 4000h Rated	88 %
LLMF HF 6000h Rated	85 %
LLMF HF 8000h Rated	84 %
LLMF HF 12000h Rated	81 %
Design Temperature	28 C
Chromaticity Coordinate X	434 -
Chromaticity Coordinate Y	397 -

• Electrical Characteristics

Lamp Wattage	42 W
Lamp Wattage EL 25°C, Rated	38.0 W
Lamp Wattage EL 25°C, Nominal	42 W
Lamp Voltage EL 25°C	124 V
Lamp Current EL 25°C	0.320 A
Dimmable	Yes

• Environmental Characteristics

Energy Efficiency Label (EEL)	A
Mercury (Hg) Content	1.4 mg
Energy consumption kWh/1000h	42 kWh



MASTER PL-T TOP 4 Pin

• Measuring Conditions

Calibration Current	0.320 A
HF Generator Rated Voltage	270 V
Resistor	420 ohm

• Product Dimensions

Base Face to Base Face A	120.7 (max) mm
Insertion Length B	145.0 (max) mm
Overall Length C	160.7 (max) mm
Diameter D	41 (max) mm

• Product Data

Order code	927912283069
------------	--------------

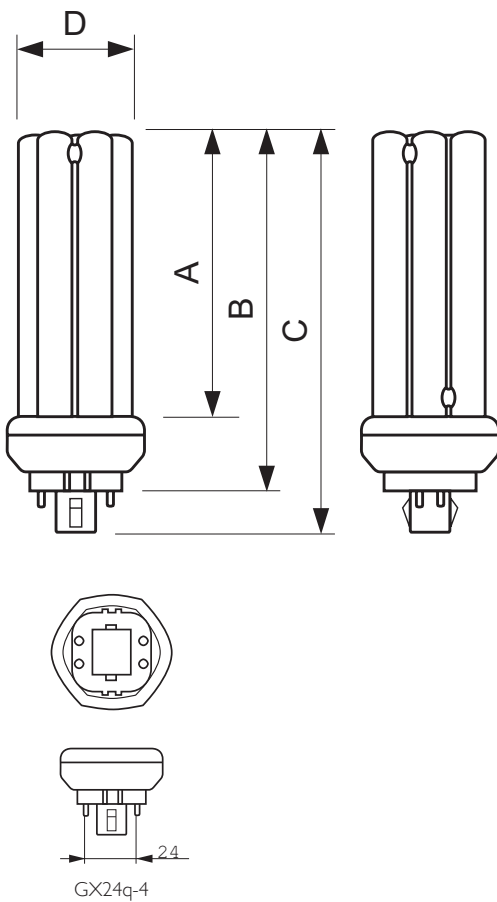
Full product code	927912283069
Full product name	MASTER PL-T TOP 42W/830/4P 1CT
Order product name	MASTER PL-T TOP 42W/830/4P 1CT/5X10CC
Pieces per pack	1
Packing configuration	5X10CC
Packs per outerbox	50
Bar code on pack - EAN1	8711500610041
Bar code on intermediate packing - EAN2	8711500610058
Bar code on outerbox - EAN3	8711500610072
Logistic code(s) - 12NC	927912283069
ILCOS code	FSMH-42/30/1B-L/P-GX24q=4
Net weight per piece	83.000 gr

Warnings and Safety

- Lamp light technical and electrical characteristics are influenced by operating conditions, i.e. lamp ambient temperature and operating position as well as applied HF control gear

- Shorter lamp life when often switching and not well pre-heated electrodes

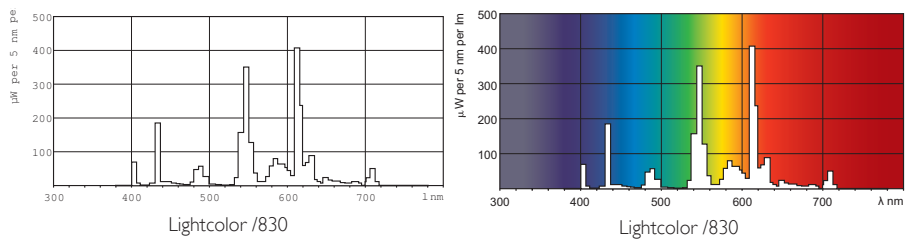
Dimensional drawing



MASTER PL-T TOP 42W/830/4P 1CT

Product	A (Max)	B (Max)	C (Max)	D (Max)
PL-T TOP 42W/830/4P A	120.7	145.0	160.7	41

Photometric data



© 2014 Koninklijke Philips N.V. (Royal Philips)
All rights reserved.

Specifications are subject to change without notice. Trademarks are the property of Koninklijke Philips N.V. (Royal Philips) or their respective owners.

www.philips.com/lighting

2014, July 15
data subject to change