



PL-S Blacklight Blue

PL-S 9W BLB/4P 1CT/6X10CC

PL-S Blacklight Blue is a special low-wattage compact fluorescent lamp emitting long wave UV radiation for detection and analysis purposes in archaeology, money checking, forensic science, food industry, medicine, mineralogy, philately as well for special effects in night clubs, discos, theatres and sign lighting. The 2-pin version is designed for operation on electromagnetic gear, the 4-pin version is designed for operation on electronic gear. Both versions are provided with a plug-in/pull-out lamp base.

Warnings and Safety

- A lamp breaking is extremely unlikely to have any impact on your health. If a lamp breaks, ventilate the room for 30 minutes and remove the parts, preferably with gloves. Put them in a sealed plastic bag and take it to your local waste facilities for recycling. Do not use a vacuum cleaner.

Product data

General Information	
Cap-Base	2G7 [2G7]
Main Application	Blacklight Blue
Useful Life (Nom)	8000 h
Light Technical	
Color Code	108 [08 lead free glass]
Color Designation	Blacklight Blue
LLMF 2000 h Rated	20 %
LLMF 6000 h Rated	30 %
Operating and Electrical	
Power (Nom)	8.6 W
Lamp Current (Nom)	0.17 A

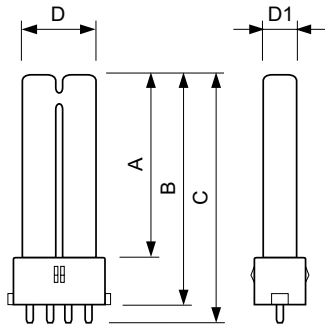
Voltage (Nom)	60 V
Mechanical and Housing	
Cap-Base Information	4 Pins
Approval and Application	
Mercury (Hg) Content (Nom)	3.0 mg
UV	
UV-B/UV-A (IEC)	0.2 %
Product Data	
Full product code	871150095093280
Order product name	PL-S 9W BLB/4P 1CT/6X10CC
EAN/UPC - Product	8711500950932

PL-S Blacklight Blue

Order code	927901910807
Numerator - Quantity Per Pack	1
Numerator - Packs per outer box	60
Material Nr. (12NC)	927901910807

Net Weight (Piece)	29.500 g
--------------------	----------

Dimensional drawing



PL-S 9W/108/4P

Product	D1 (max)	B (max)
PL-S 9W BLB/4P 1CT/6X10CC	13.0 mm	145.0 mm

