

Twistline Alu 2000 hours

Twistline Alu 2000h 50W GZ10 230V 20D 1CT



Mains-voltage halogen burner in glass reflector. Ideal solution for small decorative luminaires, putting your objects in a superior-quality spot light. Aluminum coating prevents heat in the backlight.

Product data

• General Characteristics

Philips Code	-
Cap-Base	GZ10
Bulb	MR16 [MR 16inch/50mm]
Bulb Finish	Clear
Operating Position	any [Any or Universal (U)]
Life to 50% failures	2000 hr

• Light Technical Characteristics

Beam Angle	20 D
Beam Angle Technical	20 D
Luminous Intensity	1000 (max) cd

• Electrical Characteristics

Lamp Wattage	50 W
Lamp Wattage Technical	50 W
Voltage	230 V
Dimmable	Yes

• Product Dimensions

Overall Length C	47.5 (max) mm
------------------	---------------

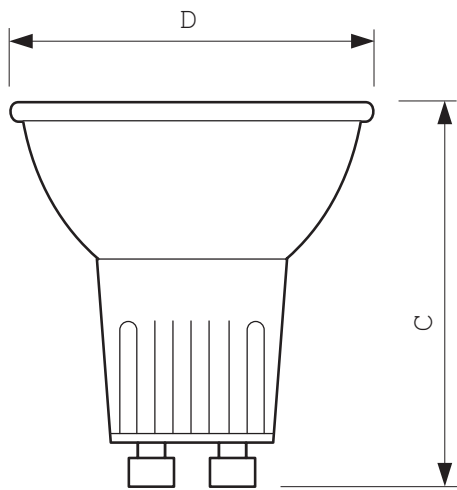
Diameter D 50.7 (max) mm

• Product Data

Order code	924887444225
Full product code	924887444225
Full product name	Twistline Alu 2000h 50W GZ10 230V 20D 1CT
Order product name	Twistline Alu 2000h 50W GZ10 230V 20D 1CT
Pieces per pack	1
Packing configuration	10X5F
Packs per outerbox	50
Bar code on pack - EAN1	8711500428592
Bar code on intermediate packing - EAN2	8711500428608
Bar code on outerbox - EAN3	8711500428615
Logistic code(s) - 12NC	924887444225
ILCOS code	HAGS-35-230-GU10-51/20
Net weight per piece	38.040 gr

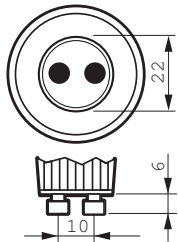
Dimensional drawing

Dimensional drawing



GZ10

Product	C (Max)	D (Max)
TWIST Dichr 50W GZ10 230V 20D	47.5	50.7



GZ10



© 2012 Koninklijke Philips Electronics N.V.
All rights reserved.

Specifications are subject to change without notice. Trademarks are the property of Koninklijke Philips Electronics N.V. or their respective owners.

www.philips.com/lighting

2012, April 10
data subject to change