

Twistline Alu 2000 hours

Twistline Alu 2000h 50W GZ10 230V 40D 1CT



Mains-voltage halogen burner in glass reflector. Ideal solution for small decorative luminaires, putting your objects in a superior-quality spot light. Aluminum coating prevents heat in the backlight.

Product data

• General Characteristics

Philips Code	-
Cap-Base	GZ10
Bulb	MR16 [2inch/50mm]
Bulb Finish	Clear
Operating Position	any [Any or Universal (U)]
Life to 50% failures	2000 hr
Nominal Lifetime	2000 hr
Rated Lifetime (hours)	2000 hr
Rated Lifetime (years)	2 an

• Light Technical Characteristics

Beam Angle	40 D
Beam Angle Technical	40 D
Luminous Intensity	400 (max) cd
Color Rendering Index	100 Ra8
Color Temperature	2800 K
Color Temperature Technical	2800 K
Rated Luminous Flux	330 Lm
LLMF - end nominal lifetime	80 (min) %
Rated Beam Angle	40 D
Luminous flux in 90° cone	330 Lm

• Electrical Characteristics

Rated Wattage	50.0 W
Lamp Wattage	50 W
Lamp Wattage Technical	50 W

Power Factor	1 -
Voltage	230 V
Dimmable	Yes
Starting Time	0.0 s
Warm-up Time to 60% Light Outp	instant full light

• Environmental Characteristics

Energy Efficiency Label (EEL)	D
Energy consumption kWh/1000h	50 kWh

• Measuring Conditions

Switching cycle	8000X
-----------------	-------

• Product Dimensions

Overall Length C	51 (max) mm
Diameter D	50.7 (max) mm

• Product Data

Order code	924887344225
Full product code	924887344225
Full product name	Twistline Alu 2000h 50W GZ10 230V 40D 1CT
Order product name	Twistline Alu 2000h 50W GZ10 230V 40D 1CT
Pieces per pack	1
Packing configuration	10X5F
Packs per outerbox	50
Bar code on pack - EAN1	8711500428622

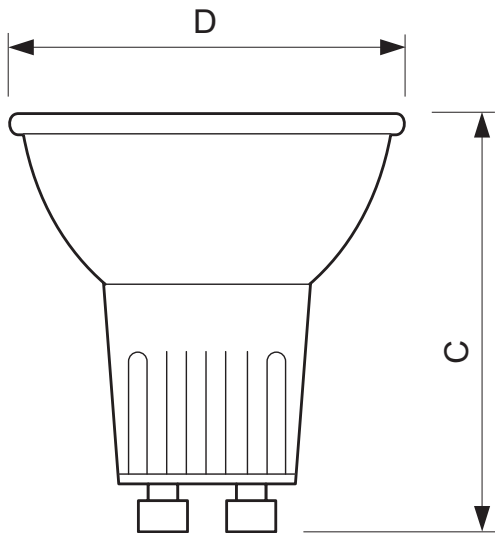
PHILIPS

Twistline Alu 2000 hours

Bar code on intermediate packing - EAN2 8711500428639
Bar code on outerbox - EAN3 8711500428646

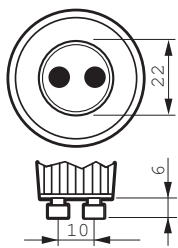
Logistic code(s) - 924887344225
12NC
ILCOS code HAGS-35-230-GU10-51/20
Net weight per piece 36.040 gr

Dimensional drawing



Twistline Alu 2000h 50W GZ10 230V 40D 1CT

Product	C (Max)	D (Max)
TWIST Dichr 50W GZ10 230V 40D	51	50,7



GZ10



© 2014 Koninklijke Philips N.V. (Royal Philips)
All rights reserved.

Specifications are subject to change without notice. Trademarks are the property of Koninklijke Philips N.V. (Royal Philips) or their respective owners.

www.philips.com/lighting

2014, April 11
data subject to change