



# Twistline Alu 2000 hours

Twistline Alu 2000h 35W GU10 230V 20D 1CT

Mains-voltage halogen burner in glass reflector. Ideal solution for small decorative luminaires, putting your objects in a superior-quality spot light. Aluminum coating prevents heat in the backlight.

## Product data

### • General Characteristics

Philips Code	-
Cap-Base	GU10
Bulb	-
Bulb Finish	Clear
Operating Position	any [Any or Universal (U)]
Life to 50% failures	2000 hr
Nominal Lifetime	2000 hr
Rated Lifetime (hours)	2000 hr
Rated Lifetime (years)	2 an

### • Light Technical Characteristics

Beam Angle	20 D
Beam Angle Technical	20 D
Luminous Intensity	500 (max) cd
Color Rendering Index	100 Ra8
Color Temperature	2800 K
Color Temperature Technical	2800 K
Rated Luminous Flux	185 Lm
LLMF - end nominal lifetime	80 (min) %
Rated Beam Angle	20 D
Luminous flux in 90° cone	185 Lm

### • Electrical Characteristics

Rated Wattage	35.0 W
Lamp Wattage	35 W
Lamp Wattage Technical	35 W

Power Factor	1 -
Voltage	230 V
Dimmable	Yes
Starting Time	0.0 s
Warm-up Time to 60% Light Outp	instant full light

### • Environmental Characteristics

Energy Efficiency Label (EEL)	D
Energy consumption kWh/1000h	35 kWh

### • Measuring Conditions

Switching cycle	8000X
-----------------	-------

### • Product Dimensions

Overall Length C	51 (max) mm
Diameter D	50.7 (max) mm

### • Product Data

Order code	924887144255
Full product code	924887144255
Full product name	Twistline Alu 2000h 35W GU10 230V 20D 1CT
Order product name	Tw Alu 2000h 35W GU10 230V 20D 1CT/50
Pieces per pack	1
Packing configuration	50
Packs per outerbox	50
Bar code on pack - EAN1	8711500652751

**PHILIPS**

## Twistline Alu 2000 hours

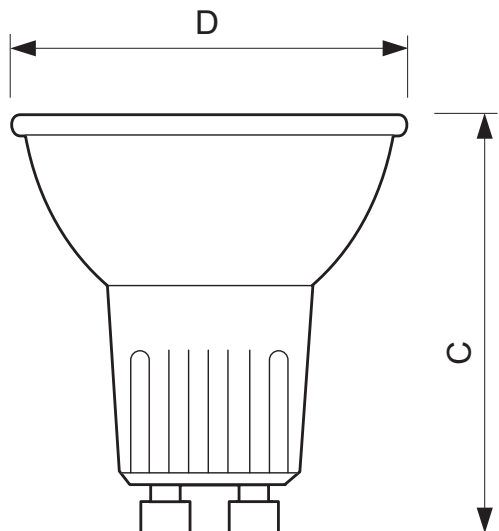
Bar code on  
outerbox - EAN3  
Logistic code(s) -  
12NC

8711500652768

924887144255

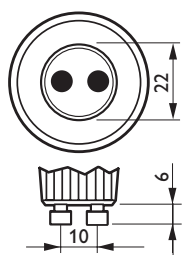
ILCOS code HAGS-35-230-GU10-51/20  
Net weight per piece 38.800 gr

### Dimensional drawing



### Twistline Alu 2000h 35W GU10 230V 20D 1CT

Product	C (Max)	D (Max)
TWIST Alu 35W GU10 230V 20D	51	50.7



GU10



© 2014 Koninklijke Philips N.V. (Royal Philips)  
All rights reserved.

Specifications are subject to change without notice. Trademarks are the property of Koninklijke Philips N.V. (Royal Philips) or their respective owners.

[www.philips.com/lighting](http://www.philips.com/lighting)

2014, April 11  
data subject to change