

Halogen Low Voltage

6423/5H 150W GZ6.35 15V 1CT



The long lifetime of most of the Halogen Low Voltage lamps is further extended by the unique P3 technology developed by Philips. This allows the lamp to be used at higher temperatures, thereby extending the lamp's lifetime, reducing early failures, and resulting in fewer maintenance man hour costs. P3 also ensures consistency of high-quality light output, and allows the lamp to be used in any burning position, which enables more compact fixture designs. In addition, the compact filament produces a clean white light and high beam intensity for true natural colors on stage and without any hotspots.

Product data

• General Characteristics

Philips Code	6423/5H
ANSI Code	EFR/5H
LIF Code	A1/223-5H
Cap-Base	GZ6.35
Bulb	R50
Bulb Material	Quartz-UV Open
Reflector Finish	Smooth
Filament Shape	-
Operating Position	any
Main Application	Disco/Theatre
Life to 50% failures	500 hr

• Light Technical Characteristics

Color Rendering Index	100 Ra8
Color Temperature Technical	3400 K
Luminous Flux Lamp	720 Lm

• Electrical Characteristics

Lamp Wattage	150 W
Voltage	15 V
Dimmable	Yes

• Luminaire Design Requirements

Pinch Temperature	350 (max) C
Bulb Temperature	900 (max) C

Working Distance WD	32 mm
---------------------	-------

• Product Dimensions

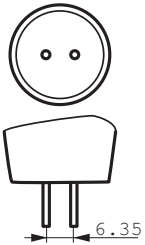
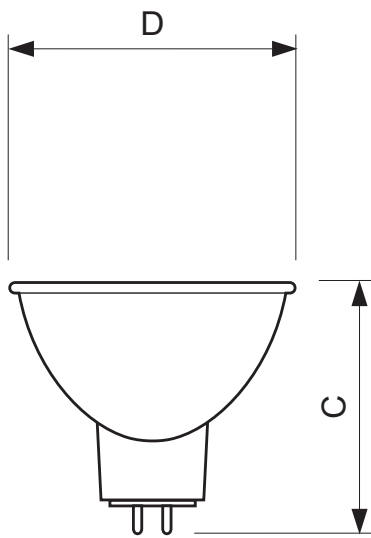
Overall Length C	42 (max) mm
Diameter D	50 (max) mm
Filament Dimensions (WxH) [mm]	-

• Product Data

Order code	924059218504
Full product code	924059218504
Full product name	6423/5H 150W GZ6.35 15V 1CT
Order product name	6423/5H 150W GZ6.35 15V 1CT/10X5F
Pieces per pack	1
Packing configuration	10X5F
Packs per outerbox	50
Bar code on pack - EAN1	8711500409539
Bar code on intermediate packing - EAN2	8711500437488
Bar code on outerbox - EAN3	8711500409560
Logistic code(s) - 12NC	924059218504
Net weight per piece	0.023 kg

PHILIPS

Dimensional drawing



GZ6.35

6423/5H 150W GZ6.35 15V 1CT

Product	C (Max)	D (Max)	L (Min)	L (Norm)	L (Max)
6423/5H 150W GZ6.35 15V	42	50	-	-	-



© 2014 Koninklijke Philips N.V. (Royal Philips)
All rights reserved.

Specifications are subject to change without notice. Trademarks are the property of Koninklijke Philips N.V. (Royal Philips) or their respective owners.

www.philips.com/lighting

2014, July 27
data subject to change