



Brilliantline Dichroic

Brilliantline Dichroic 20W GU4 12V MR11 10D CL 1CT

Superior-quality low-voltage halogen burner in glass reflector. Ideal solution for small decorative luminaires, putting your objects in the spotlight. Dichroic coating prevents heat transmission onto the object.

Product data

• General Characteristics

Philips Code	14624
ANSI Code Halogen	FTB
Cap-Base	GU4
Bulb	MR11 [1.375inch/35mm]
Bulb Finish	Clear
Operating Position	any [Any or Universal (U)]
Life to 50% failures	4000 hr
Nominal Lifetime	4000 hr
Rated Lifetime (hours)	4000 hr
Rated Lifetime (years)	4 an

• Light Technical Characteristics

Beam Angle	10 D
Beam Angle Technical	10 D
Luminous Intensity	4800 (max) cd
Color Rendering Index	100 Ra8
Color Temperature	3000 K
Color Temperature Technical	3000 K
Rated Luminous Flux	185 Lm
LLMF - end nominal lifetime	80 (min) %
Rated Beam Angle	10 D
Luminous flux in 90° cone	185 Lm

• Electrical Characteristics

Rated Wattage	20.0 W
Lamp Wattage	20 W

Lamp Wattage Technical	20.0 W
Power Factor	1 -
Voltage	12 V
Lamp Current	1.7 A
Dimmable	Yes
Starting Time	0.0 s
Warm-up Time to 60% Light Outp	instant full light

• Environmental Characteristics

Energy Efficiency Label (EEL)	C
Energy consumption kWh/1000h	21 kWh

• Measuring Conditions

Switching cycle	16000X
-----------------	--------

• Luminaire Design Requirements

Cap-Base Temperature	350 (max) C
Bulb Temperature	300 (max) C

• Product Dimensions

Overall Length C	40 (max) mm
Diameter D	35 (max) mm

• Product Data

Order code	924051217107
Full product code	924051217107

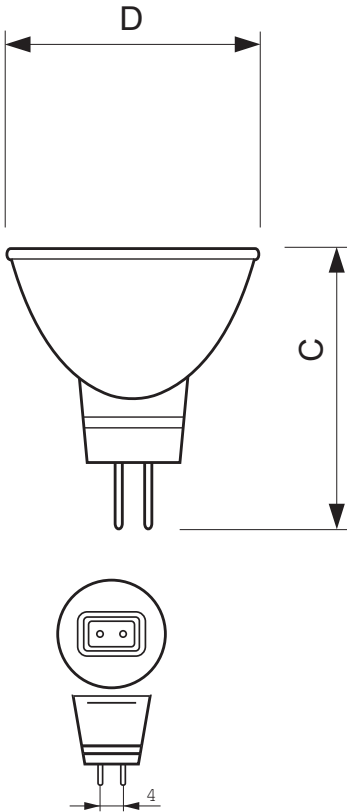
PHILIPS

Brilliantline Dichroic

Full product name Pro FTB 20W 12V MR11 10D CL
1CT
Order product name 20MRC11/SP10 PRO FTB 50PK
Pieces per pack 1
Packing configuration 10X5F
Packs per outerbox 50
Bar code on pack -
EAN1 8711500425379
Bar code on inter-
mediate packing -
EAN2 8711500425386

Bar code on
outerbox - EAN3 8711500425393
Logistic code(s) -
12NC 924051217107
ILCOS code HRGS-20-12-GU4-35/10
Net weight per piece 14.100 gr

Dimensional drawing



GU4

Brilliantline Dichroic 20W GU4 12V MR11 10D CL 1CT

Product	C (Max)	D (Max)
DICHRO Pro 14624 20W GU4 12V MR11 10D	40	35



© 2014 Koninklijke Philips N.V. (Royal Philips)
All rights reserved.

Specifications are subject to change without notice. Trademarks are the property of Koninklijke Philips N.V. (Royal Philips) or their respective owners.

www.philips.com/lighting

2014, April 11
data subject to change