



Brilliantline Dichroic

Brilliantline Dichroic 50W GU5.3 12V MR16 10D 1CT

Superior-quality low-voltage halogen burner in glass reflector. Ideal solution for small decorative luminaires, putting your objects in the spotlight. Dichroic coating prevents heat transmission onto the object.

Product data

• General Characteristics

Philips Code	14618
ANSI Code Halogen	EXT
Cap-Base	GU5.3
Bulb	MR16 [2inch/50mm]
Bulb Finish	Clear
Operating Position	any [Any or Universal (U)]
Life to 50% failures	4000 hr
Nominal Lifetime	4000 hr
Rated Lifetime (hours)	4000 hr
Rated Lifetime (years)	4 an

• Light Technical Characteristics

Beam Angle	10 D
Beam Angle Technical	10 D
Luminous Intensity	10680 (max) cd
Color Rendering Index	100 Ra8
Color Temperature	3000 K
Color Temperature Technical	3000 K
Rated Luminous Flux	775 Lm
LLMF - end nominal lifetime	80 (min) %
Rated Beam Angle	10 D
Luminous flux in 90° cone	775 Lm

• Electrical Characteristics

Rated Wattage	50.0 W
Lamp Wattage	50 W

Lamp Wattage Technical	51 W
Power Factor	1 -
Voltage	12 V
Lamp Current	4.2 A
Dimmable	Yes
Starting Time	0.0 s
Warm-up Time to 60% Light Outp	instant full light

• Environmental Characteristics

Energy Efficiency Label (EEL)	B
Energy consumption kWh/1000h	53 kWh

• Measuring Conditions

Switching cycle	16000X
-----------------	--------

• Luminaire Design Requirements

Cap-Base Temperature	350 (max) C
Bulb Temperature	250 (max) C

• Product Dimensions

Overall Length C	46 (max) mm
Diameter D	51 (max) mm

• Product Data

Order code	924050817101
Full product code	924050817101

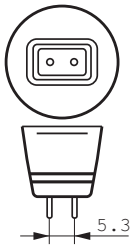
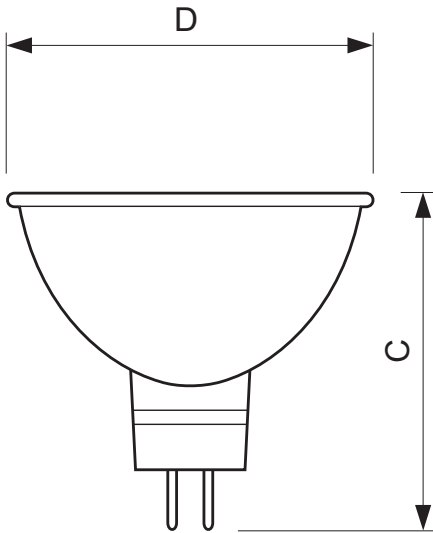
PHILIPS

Brilliantline Dichroic

Full product name Brilliantline Dichroic 50W GU5.3 12V
MR16 10D 1CT
Order product name Brilliantline Dichroic 50W GU5.3 12V
MR16 10D 1CT
Pieces per pack 1
Packing configuration 10X5F
Packs per outerbox 50
Bar code on pack -
EAN1 8711500425102

Bar code on inter-
mediate packing -
EAN2 8711500425119
Bar code on
outerbox - EAN3 8711500425126
Logistic code(s) -
12NC 924050817101
ILCOS code HRGS-50-12-GU5.3-50/10
Net weight per piece 30.000 gr

Dimensional drawing



GU5.3

Brilliantline Dichroic 50W GU5.3 12V MR16 10D 1CT

Product	C (Max)	D (Max)
DICHRO Pro 14618 50W GU5.3 12V MR16 10D	46	51



© 2014 Koninklijke Philips N.V. (Royal Philips)
All rights reserved.

Specifications are subject to change without notice. Trademarks are the property of Koninklijke Philips N.V. (Royal Philips) or their respective owners.

www.philips.com/lighting

2014, April 11
data subject to change