



# Brilliantline Dichroic

Brilliantline Dichroic 35W GU5.3 12V MR16 60D 1CT

Superior-quality low-voltage halogen burner in glass reflector. Ideal solution for small decorative luminaires, putting your objects in the spotlight. Dichroic coating prevents heat transmission onto the object.

## Product data

### • General Characteristics

Philips Code	14617
ANSI Code Halogen	na [-]
Cap-Base	GU5.3
Bulb	MR16 [2inch/50mm]
Bulb Finish	Clear
Operating Position	any [Any or Universal (U)]
Life to 50% failures	4000 hr
Nominal Lifetime	4000 hr
Rated Lifetime (hours)	4000 hr
Rated Lifetime (years)	4 an

### • Light Technical Characteristics

Beam Angle	60 D
Beam Angle Technical	60 D
Luminous Intensity	700 (max) cd
Color Rendering Index	100 Ra8
Color Temperature	3000 K
Color Temperature Technical	3000 K
Rated Luminous Flux	500 Lm
LLMF - end nominal lifetime	80 (min) %
Rated Beam Angle	60 D
Luminous flux in 90° cone	500 Lm

### • Electrical Characteristics

Rated Wattage	35.0 W
Lamp Wattage	35 W

Lamp Wattage Technical	36 W
Power Factor	1 -
Voltage	12 V
Lamp Current	2.92 A
Dimmable	Yes
Starting Time	0.0 s
Warm-up Time to 60% Light Outp	instant full light

### • Environmental Characteristics

Energy Efficiency Label (EEL)	B
Energy consumption kWh/1000h	37 kWh

### • Measuring Conditions

Switching cycle	16000X
-----------------	--------

### • Luminaire Design Requirements

Cap-Base Temperature	350 (max) C
Bulb Temperature	250 (max) C

### • Product Dimensions

Overall Length C	46 (max) mm
Diameter D	51 (max) mm

### • Product Data

Order code	924050717101
Full product code	924050717101

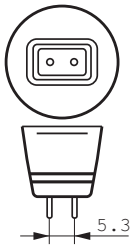
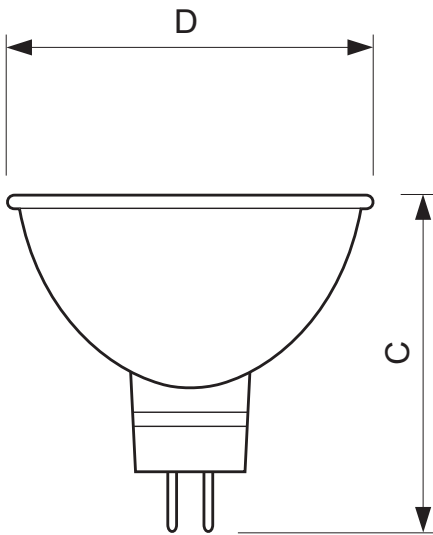
**PHILIPS**

## Brilliantline Dichroic

Full product name Brilliantline Dichroic 35W GU5.3 12V  
MR16 60D 1CT  
Order product name Brilliantline Dichroic 35W GU5.3 12V  
MR16 60D 1CT  
Pieces per pack 1  
Packing configuration 10X5F  
Packs per outerbox 50  
Bar code on pack -  
EAN1 8711500425072

Bar code on inter-  
mediate packing -  
EAN2 8711500425089  
Bar code on  
outerbox - EAN3 8711500425096  
Logistic code(s) -  
12NC 924050717101  
ILCOS code HRGS-35-12-GU5.3-50/60  
Net weight per piece 30.000 gr

### Dimensional drawing



GU5.3

### Brilliantline Dichroic 35W GU5.3 12V MR16 60D 1CT

Product	C (Max)	D (Max)
DICHRO Pro 14617 35W GU5.3 12V MR16 60D	46	51



© 2014 Koninklijke Philips N.V. (Royal Philips)  
All rights reserved.

Specifications are subject to change without notice. Trademarks are the property of Koninklijke Philips N.V. (Royal Philips) or their respective owners.

[www.philips.com/lighting](http://www.philips.com/lighting)

2014, April 11  
data subject to change