

Halogen reflector

14552 75W GZ4 12V 1CT



Philips' halogen reflector lamps offer the ideal no-fuss solution for a wide variety of medical, projection and scientific illumination systems. Their proven reliability makes them ideal for retrofit installations. The burners are precisely aligned for optimal light performance. Dichroic reflectors ensure heat dissipation towards the back of the optical system, which helps the optical system remain within temperature limits. A special blue-filter version blocking out unwanted light above 700 nm is available for dental curing applications. In addition, you get all the proven advantages of halogen technology such as a CRI of 100 – the same as natural sunlight for the best possible color rendering. Halogen lamps also create a comfortable warm white light, and they maintain their high lumen output with almost no lumen reduction throughout their lifetime.

Product data

• General Characteristics

Philips Code	14552
ANSI Code	-
J Code	-
LIF Code	-
Cap-Base	GZ4
Cap-Base Information	-
Bulb	R35
Bulb Material	Quartz-UV Open
Reflector Finish	Smooth Dichroic
Filament Shape	-
Operating Position	s105
Main Application	Dental Hardening
Life to 50% failures	50 hr

• Light Technical Characteristics

Color Rendering Index	10 Ra8
Color Temperature Technical	3400 K
Curing Power Area 400-500nm	400 mW/cm ²

• Electrical Characteristics

Lamp Wattage	75 W
Voltage	12 V
Dimmable	Yes

• Luminaire Design Requirements

Pinch Temperature	350 (max) C
-------------------	-------------

Bulb Temperature	900 (max) C
Working Distance WD	26 mm

• Product Dimensions

Overall Length C	41 (max) mm
Diameter D	25 (max) mm
Filament Dimensions (WxH) [mm]	-

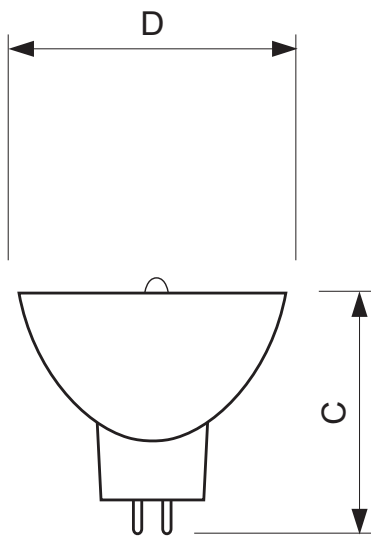
• Product Data

Order code	924043217103
Full product code	924043217103
Full product name	14552 75W GZ4 12V 1CT
Order product name	14552 75W GZ4 12V 1CT/10X5F
Pieces per pack	1
Packing configuration	10X5F
Packs per outerbox	50
Bar code on pack - EAN1	8711500412447
Bar code on intermediate packing - EAN2	8711500412454
Bar code on outerbox - EAN3	8711500425355
Logistic code(s) - 12NC	924043217103
Net weight per piece	0.012 kg

PHILIPS

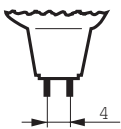
Halogen reflector

Dimensional drawing



14552 75W GZ4 12V 1CT

Product	C (Max)	D (Max)	L (Min)	L (Norm)	L (Max)
14552 75W GZ4 12V	41	25	-	-	-



GZ4



© 2014 Koninklijke Philips N.V. (Royal Philips)
All rights reserved.

Specifications are subject to change without notice. Trademarks are the property of Koninklijke Philips N.V. (Royal Philips) or their respective owners.

www.philips.com/lighting

2014, April 10
data subject to change