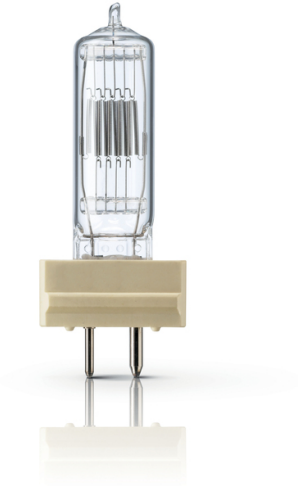


Halogen High Voltage SE (Film/Studio)

6994P 2000W GY16 230V 1CT



The high, constant output and consistent color temperature of these single ended halogen lamps ensure attractive, accurately exposed pictures for both film and video. Furthermore, these lamps incorporate the highly innovative P3 technology, developed by Philips. This allows the lamps to be used at higher temperatures, which extends overall lifetime and consistency of their high-quality light output. P3 technology also allows the lamp to be used in any burning position and enables more compact designs of fixtures. In addition, the very wide choice of dimensions and power ratings opens new levels of creative freedom for the luminaire designer.

Product data

• General Characteristics

Philips Code	6994P
ANSI Code	FTM
LIF Code	CP/72 (CP/43)
System Description	-
Cap-Base	GY16
Bulb Finish	Clear
Filament Shape	Bi-Plane
Operating Position	s90
Main Application	Entertainment
Life to 50% failures	480 hr

• Light Technical Characteristics

Color Temperature	3200 K
Technical	
Luminous Flux Lamp	50000 Lm

• Electrical Characteristics

Lamp Wattage	2000 W
Voltage	230 V
Dimmable	Yes
Rapid Acting HBC	16 V
Fuse	

• Luminaire Design Requirements

Pinch Temperature	400 (max) C
-------------------	-------------

• Product Dimensions

Overall Length C	145 (max) mm
Diameter D	29 (max) mm
Pin Length K	15.4 (min), 17 (max) mm
Light Center Length L	70 mm
Pin Distance R	15.87 mm
Filament Dimensions (WxH) [mm]	18x18
Filament Height H	18.5 mm
Filament Length W	17 mm

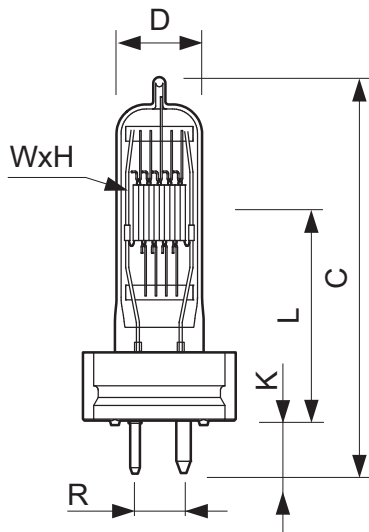
• Product Data

Order code	923891042948
Full product code	923891042948
Full product name	6994P 2000W GY16 230V 1CT
Order product name	6994P 2000W GY16 230V 1CT/10
Pieces per pack	1
Packing configuration	10
Packs per outerbox	10
Bar code on pack - EAN1	8711500185839
Bar code on outerbox - EAN3	8711500185846
Logistic code(s) - 12NC	923891042948
Net weight per piece	0.073 kg

PHILIPS

Halogen High Voltage SE (Film/Studio)

Dimensional drawing



6994P 2000W GY16 230V 1CT

Product	C (Max)	D (Max)	H (Norm)	K (Min)	K (Norm)	K (Max)	L (Min)	L (Norm)	L (Max)	P (Min)	P (Norm)	P (Max)	R (Min)	R (Norm)	R (Max)	W (Norm)
6994P 2000W GY16 230V	145	29	18.5	15.4	-	17	-	70	-	-	-	-	-	15.87	-	17



GY16



© 2014 Koninklijke Philips N.V. (Royal Philips)
All rights reserved.

Specifications are subject to change without notice. Trademarks are the property of Koninklijke Philips N.V. (Royal Philips) or their respective owners.

www.philips.com/lighting

2014, April 11
data subject to change