



# Aluline 37/56

Aluline 50W 12V R56 10D CL 1CT

Low-voltage halogen burner in specialized aluminum reflector prevents heat in the backlight; bayonet cap for secure fitting

## Product data

### • General Characteristics

Philips Code	6438
ANSI Code Halogen	GBJ
Cap-Base	B15d
Cap-Base Information	24X17
Bulb	R56 [R 56mm]
Bulb Finish	Clear
Operating Position	any [Any or Universal (U)]
Life to 50% failures	2000 hr
Nominal Lifetime	2000 hr
Rated Lifetime (hours)	2000 hr
Rated Lifetime (years)	2 an

### • Light Technical Characteristics

Beam Angle	10 D
Beam Angle Technical	10 D
Luminous Intensity	12000 (max) cd
Color Rendering Index	100 Ra8
Color Temperature	3000 K
Color Temperature Technical	3000 K
Rated Luminous Flux	760 Lm
LLMF - end nominal lifetime	80 (min) %
Rated Beam Angle	10 D
Luminous flux in 90° cone	760 Lm

### • Electrical Characteristics

Rated Wattage	50.0 W
Lamp Wattage	50 W

Lamp Wattage Technical	50.0 W
Power Factor	1 -
Voltage	12 V
Lamp Current	4.17 A
Dimmable	Yes
Starting Time	0.0 s
Warm-up Time to 60% Light Outp	instant full light

### • Environmental Characteristics

Energy Efficiency Label (EEL)	B
Energy consumption kWh/1000h	53 kWh

### • Measuring Conditions

Switching cycle	8000X
-----------------	-------

### • Luminaire Design Requirements

Cap-Base Temperature	350 (max) C
Bulb Temperature	250 (max) C

### • Product Dimensions

Overall Length C	58 (max) mm
Diameter D	58 (max) mm

### • Product Data

Order code	923883917102
Full product code	923883917102
Full product name	Aluline 50W 12V R56 10D CL 1CT

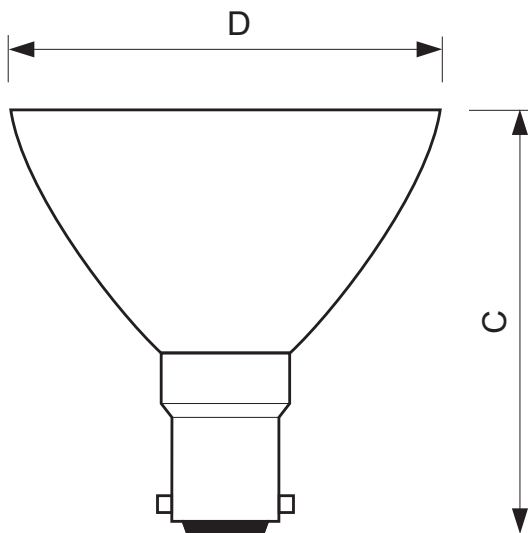
**PHILIPS**

## Aluline 37/56

Order product name Alu 50W 12V R56 10D CL 1CT/  
10X5F  
Pieces per pack 1  
Packing configuration 10X5F  
Packs per outerbox 50  
Bar code on pack -  
EAN1 8711500402004  
Bar code on inter-  
mediate packing -  
EAN2 8711500415981

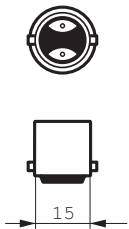
Bar code on  
outerbox - EAN3 8711500415998  
Logistic code(s) -  
12NC 923883917102  
ILCOS code HMGI-50-12-B15d-56/10  
Net weight per piece 39.200 gr

### Dimensional drawing



### Aluline 50W 12V R56 10D CL 1CT

Product	C (Max)	D (Max)
Alu 50W B15d 12V R56 10D CL	58	58



B15d



© 2014 Koninklijke Philips N.V. (Royal Philips)  
All rights reserved.

Specifications are subject to change without notice. Trademarks are the property of Koninklijke Philips N.V. (Royal Philips) or their respective owners.

[www.philips.com/lighting](http://www.philips.com/lighting)

2014, July 29  
data subject to change