



PAR38

PAR38 80W E27 230V SP 12D 1CT

Pressed-glass 121 mm diameter reflector lamps of high luminous intensity

Product data

• General Characteristics

Cap-Base	E27
Bulb	PAR38 [PAR 4.75 inch/121mm]
Operating Position	any [Any or Universal (U)]
Nominal Lifetime	2000 hr
Rated Lifetime (hours)	2000 hr
Rated Lifetime (years)	2 an

• Light Technical Characteristics

Beam Description	Spot
Beam Angle	12 D
Beam Angle Technical	12 D
Luminous Intensity	4700 (max) cd
Color Rendering Index	100 Ra8
Color Temperature	2700 K
Rated Luminous Flux	655 Lm
Rated Beam Angle	12 D
Luminous flux in 90° cone	655 Lm

• Electrical Characteristics

Rated Wattage	80.0 W
Lamp Wattage	80 W
Power Factor	1 -
Voltage	230 V
Dimmable	Yes
Starting Time	0.0 s
Warm-up Time to 60% Light Outp	instant full light

• Environmental Characteristics

Energy Efficiency Label (EEL)	D
Energy consumption kWh/1000h	80 kWh

• Measuring Conditions

Switching cycle	8000X
-----------------	-------

• Product Dimensions

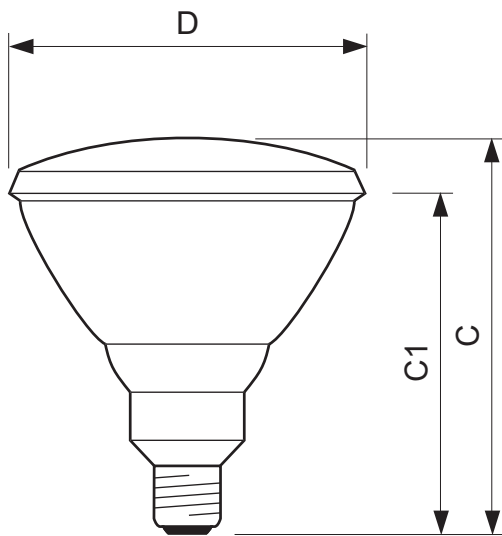
Overall Length C	137 (max) mm
Diameter D	123 (max) mm

• Product Data

Order code	923810244212
Full product code	923810244212
Full product name	PAR38 80W E27 230V SP 12D 1CT
Order product name	PAR38 80W E27 230V SP 12D 1CT/12
Pieces per pack	1
Packing configuration	12
Packs per outerbox	12
Bar code on pack - EAN1	8711500380753
Bar code on outerbox - EAN3	8711500380937
Logistic code(s) - 12NC	923810244212
ILCOS code	IPAR-80-230-E27-121/12
Net weight per piece	319.000 gr

PHILIPS

Dimensional drawing



E27

PAR38 80W E27 230V SP 12D 1CT

Product	C (Max)	C1 (Norm)	D (Norm)	D (Max)
PAR38 80W E27 230V SP	137	-	-	123



© 2014 Koninklijke Philips N.V. (Royal Philips)
All rights reserved.

Specifications are subject to change without notice. Trademarks are the property of Koninklijke Philips N.V. (Royal Philips) or their respective owners.

www.philips.com/lighting

2014, October 31
data subject to change