



InfraRed Healthcare Heat Incandescent

R95 IR 100W E27 230V Red 1CT

Philips infrared lamps for healthcare and bodycare applications are designed for treating deep-seated muscular ailments and sports injuries. These incandescent reflector lamps are an excellent solution to provide localized heat treatment to relieve muscular pain. They can also be used to treat rheumatic ailments. This form of heat therapy has also been shown to speed the healing of different kinds of injuries such as sports injuries and non-infected wounds, in many cases providing rapid and effective pain relief. The benefits of this form of heat therapy are based on locally enhanced blood circulation in the skin caused by vasodilatory response. This results in an increased transport rate of metabolites and other essential biochemical compounds. Benefits are also gained by deeper penetration of heat, which provides a gentle, pleasant warming effect.

Product data

• General Characteristics

Cap-Base	E27
Bulb	R95 [R 95mm]
Bulb Material	Soft Glass
Bulb Finish	Red
Operating Position	any [Any or Universal (U)]
Main Application	Infrared Health
Nominal Lifetime	300 hr
Rated Lifetime (hours)	300 hr

• Electrical Characteristics

Lamp Wattage	100 W
Voltage	230 V
Dimmable	Yes

• Product Dimensions

Overall Length C	130 (max) mm
------------------	--------------

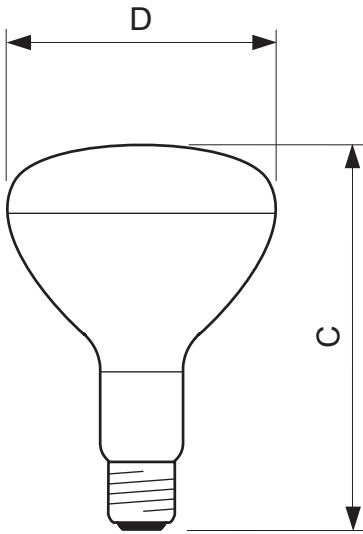
Diameter D 95 mm

• Product Data

Order code	923244244208
Full product code	923244244208
Full product name	R95 IR 100W E27 230V Red 1CT
Order product name	R95 IR 100W E27 230V Red 1CT/25
Pieces per pack	1
Packing configuration	25
Packs per outerbox	25
Bar code on pack - EAN1	8711500145598
Bar code on outerbox - EAN3	8711500125491
Logistic code(s) - 12NC	923244244208
Net weight per piece	53.300 gr

PHILIPS

Dimensional drawing



R95 IR 100W E27 230V Red 1CT

Product	C (Min)	C (Norm)	C (Max)	C1 (Min)	C1 (Norm)	C1 (Max)	D (Min)	D (Norm)	D (Max)
R95 IR 100W E27 230V Red	-	-	130	-	-	-	-	95	-



E27



© 2014 Koninklijke Philips N.V. (Royal Philips)
All rights reserved.

Specifications are subject to change without notice. Trademarks are the property of Koninklijke Philips N.V. (Royal Philips) or their respective owners.

www.philips.com/lighting

2014, April 11
data subject to change