

DynaVision LumiStep Xtreme for CPO

HID-DV LS-6 Xt 45 CPO C1 208-277V

Highly reliable electronic drivers for CPO lamps; designed to save energy via integrated one-step dimming and to reduce maintenance costs thanks to 80,000-hour lifetime and integrated lightning protection

Product data

• General Characteristics

Interface	LS-6
Rated Lamptype	CPO
Rated Number of Lamps	1 piece
Rated Ballast-Lamp Power	45
Line Voltage	208-277 V [208-240-277]
Line Current	0.26 A
Line Frequency	50/60 Hz
Housing	C1
IP Classification	34
Luminaires Suitable for Outdoor use?	Yes
Lifetime 90% surv.@Tcaselife	80000 hr

• Operating Characteristics

Default Lamp selected	CPO45
Programmable lamp settings	-
Pre-set integrated controls	-
Programmable dimming options	-
Automatic restart	Yes
Ignition switch-off time	20 (max) min
Operating frequency *	0.40 kHz
Mains voltage safety (AC)	160-305V
Mains voltage performance (AC)	188-305V

Min. Mains voltage operational	172 (min) V
Output peak voltage	250 (max) V
Inrush current Peak	28 (max) A
Inrush current Width	0.24 ms
Earth leakage current	0.7 (max) mA
Lamp Power Tolerance	-3%/+3%
Run-Up Time before Dimming	5 min
Fade Rate Down	0.6 %/sec
Fade Rate Up	6 %/sec
PowerFactor 100% output power	0.96 -
Power Factor (dimmed 50%)	0.93 (min) -
Overvoltage protection 320Vac	48 hr
Overvoltage protection 350Vac	2 hr
Control input protection	Yes (Basic insulation)
Max ballast on MCB(16A type B)	11 x
Hum and Noise level	< 30 dB(A)
Regulating level	75%-100%

• Wiring Characteristics

Cable-Cap output-wires mutual	1000 pF
Connector type	WAGO series 804
Max. cable length	10 m
Device/Lamp Striplength	10.0-11.0 mm
Wcs Ballast contacts	0.50-2.50 mm2

PHILIPS

DynaVision LumiStep Xtreme for CPO

• Temperature Characteristics

Active temperature protection	Yes
F-marking	Yes
T-case life	80 C
T-case switch-off	92 (min) C
T-ambient	-30 (min), 50 (max) C
T-storage	-30 (min), 50 (max) C

• Product Dimensions

Length A1	150.0 mm
Fixing Hole Distance	135.9 mm
Length A2	
Width B1	65.0 mm
Fixing Hole Distance	46.8 mm
Width B2	
Height C1	65.0 mm
Fixing Hole Diameter D1	5.0 mm

• Approval & Application Chars

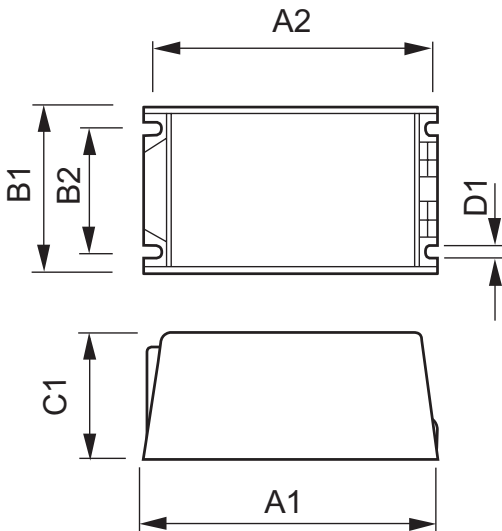
EMI 9 kHz ... 300MHz	CISPR 15 ed 7.2
EMI 30 MHz .. 1000MHz	- [Not specified]
Safety Standard	IEC 607, 609, 926, 928 [No Standard for HID Lamp drivers exists. Requirements in these standards to be used if considered relevant for the product.]
Quality Standard	ISO 9000:2000
Environmental Standard	ISO 14001

Harmonic current emissions	IEC 61000-3-2
Vibrations	IEC 68-2-6 Fc (10-150Hz, 2G)
Bumps	IEC 68-2-29 Eb (10G/16ms)
Humidity	EN 61347-2-12 clause 11
Approval marks	ENEC / VDE-EMV
CE marking	Yes
ENEC certificate	No
VDE certificate	No
VDE-EMV certificate	No
ICEUR certificate	No
Surge Protection	EN61547 (L-L 2kV, L-G 4kV), 10kV TIL
CB Certificate	No

• Product Data

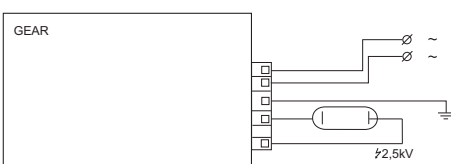
Order code	913700678266
Full product code	913700678266
Full product name	HID-DV LS-6 Xt 45 CPO C1 208-277V
Order product name	HID-DV LS-6 Xt 45 CPO C1 208-277V
Pieces per pack	1
Packing configuration	12
Packs per outerbox	12
Bar code on pack - EAN1	8718291204732
Bar code on outerbox - EAN3	8718291204749
Logistic code(s) - 12NC	913700678266
Net weight per piece	0.950 kg

Dimensional drawing



HID-DV LS-6 Xt 45 CPO C1 208-277V

Product	A1 (Norm)	A2 (Norm)	B1 (Norm)	B2 (Norm)	C1 (Norm)	D1 (Norm)
HID-DV LS-6 Xt 45 CPO C1 208-277V	150.0	135.9	65.0	46.8	65.0	5.0





© 2014 Koninklijke Philips N.V. (Royal Philips)
All rights reserved.

Specifications are subject to change without notice. Trademarks are the property of Koninklijke Philips N.V. (Royal Philips) or their respective owners.

www.philips.com/lighting

2014, July 27
data subject to change