



# HF-Regulator II for PL-L lamps

HF-R 136 PL-L EII 220-240V 50/60Hz

High-frequency electronic dimming ballast, using the analog protocol (1-10 V) for PL-L lamps

## Product data

### • General Characteristics

Interface	1-10V
Application code	EII
Rated Lamptype	PL-L
Rated Number of Lamps	1 piece
Rated Ballast-Lamp Power	36
Line Voltage	220-240 V
Line Frequency	50/60 Hz
Housing	L 360x30x21
Energy Efficiency Index	A1
Lifetime 90% surv.@Tcaselife	50000 hr
Ignition Method	Programmed Start

Battery voltage running lamps	176-254
Overvoltage protection 320Vac	48 hr
Overvoltage protection 350Vac	2 hr
Control input protection	Yes (Basic insulation)
Max ballast on MCB(16A type B)	28 x
Stable lamp operation temp.	- [Not specified]
Crestfactor	1.7 (max) -
Hum and Noise level	Inaudible
Total Harmonic Distortion EUR	7 %

### • Operating Characteristics

Automatic restart	Yes
Ignition time	0.2 (max) s
Operating frequency	45 (min), 90 (max) kHz
Mains voltage safety (AC)	-10%/+10%
Mains voltage performance (AC)	-8%/+6%
Inrush current Peak	27 (max) A
Inrush current Width	0.30 ms
Earth leakage current	0.5 (max) mA
Power losses gear	5.2 W
Regulating level power	1%-100%
PowerFactor 100% output power	0.95 -
Battery voltage lamp ignition	196 V

### • Wiring Characteristics

Conn.type input terminals	WAGO 251 universal connector [Suitable for both automatic wiring (ALF and ADS) and manual wiring]
Conn.type output terminals	WAGO 251 universal connector [Suitable for both automatic wiring (ALF and ADS) and manual wiring]
Conn.type ctrl input terminals	WAGO 251 universal connector [Suitable for both automatic wiring (ALF and ADS) and manual wiring]
Striplength	8.0-9.0 mm
Dual fixture Master/Slave	Not applicable [Master/Slave oper. not applicable]
Wcs Control input terminals	0.50-1.00 mm <sup>2</sup>
Wcs Input terminals	0.50-1.00 mm <sup>2</sup>
Wcs Output terminals	0.50-1.00 mm <sup>2</sup>

**PHILIPS**

# HF-Regulator II for PL-L lamps

Wcs auto insertion (ALF/ADS) 0.5 mm<sup>2</sup>

### • Temperature Characteristics

T-ignition 0 (min), 50 (max) C  
 T-ambient -20 (min), 50 (max) C  
 T-storage -25 (min), 80 (max) C

### • Product Dimensions

Length A1 360 mm  
 Fixing Hole Distance 350 mm  
 Length A2  
 Width B1 30 mm  
 Height C1 22 mm  
 Fixing Hole Diameter D1 4.2 mm

### • Approval & Application Chars

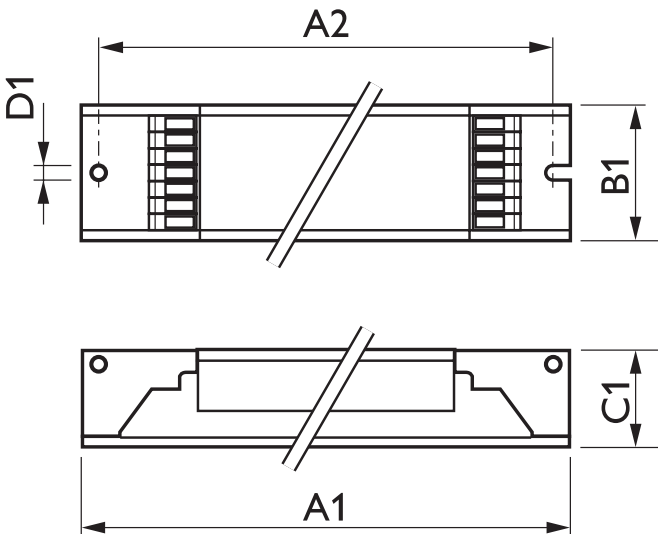
EMI 9kHz .. 30 MHz EN 55015  
 EMI 30 MHz .. 1000MHz EN 55022 level B [Level = Class]  
 Safety Standard IEC 61347-2-3  
 Performance Standard IEC 60929  
 Quality Standard ISO 9000:2000  
 Environmental Standard ISO 14001

Harmonic current emissions IEC 61000-3-2  
 EMC Immunity IEC 61547  
 Vibrations IEC 68-2-6 Fc  
 Bumps IEC 68-2-29 Eb  
 Humidity EN 61347-2-3 clause 11  
 Approval marks ENEC / VDE-EMV  
 CE marking Yes  
 Temperature marking 110 [Yes]  
 Emergency standard IEC 60598-2-22

### • Product Data

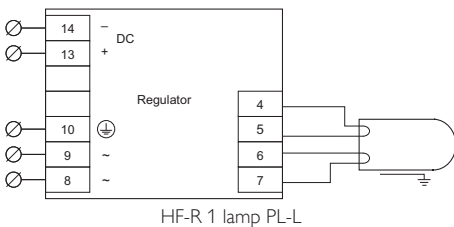
Order code 913700619966  
 Full product code 913700619966  
 Full product name HF-R 136 PL-L EII 220-240V 50/60Hz  
 Order product name HF-R 136 PL-L EII 220-240V 50/60Hz  
 Pieces per pack 1  
 Packing configuration 12  
 Packs per outerbox 12  
 Bar code on pack - EAN1 8711500911827  
 Bar code on outerbox - EAN3 8711500911834  
 Logistic code(s) - 12NC 913700619966  
 Net weight per piece 0.260 kg

## Dimensional drawing



### HF-R 136 PL-L EII 220-240V 50/60Hz

Product	A1 (Norm)	A2 (Norm)	B1 (Norm)	C1 (Norm)	D1 (Norm)
HF-R 136 PL-L EII 220-240V 50/60Hz	360	350	30	22	4.2





© 2014 Koninklijke Philips N.V. (Royal Philips)  
All rights reserved.

Specifications are subject to change without notice. Trademarks are the property of Koninklijke Philips N.V. (Royal Philips) or their respective owners.

[www.philips.com/lighting](http://www.philips.com/lighting)

2014, April 11  
data subject to change