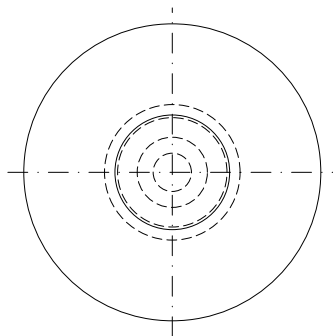
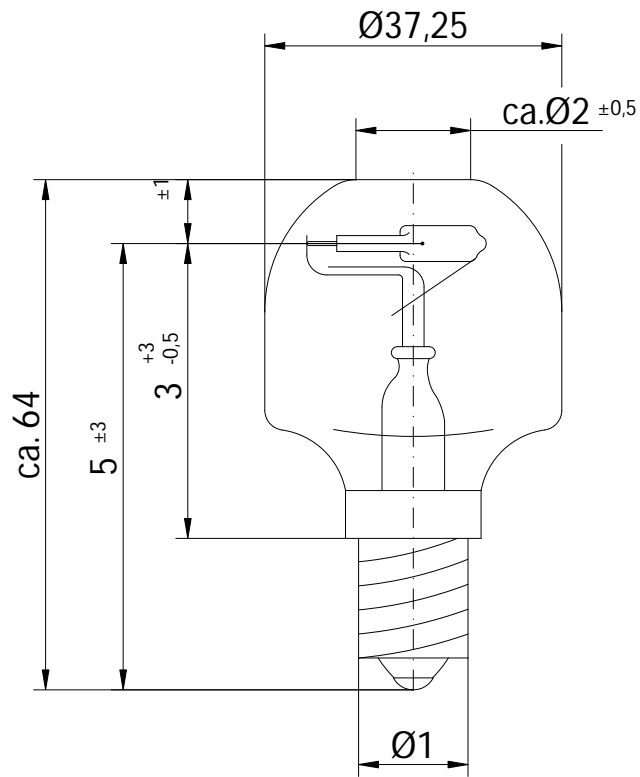


Drawings and descriptions only for information purpose. SiL Int. BV. disclaims all warranties without limitation.



REF.	VOLT	WATT / AMP	BASE	LMN	LM / W
847058	7,5	38	E11	730	19,2
HRS	BRAND		APPLICATION		COMMENTS
500	DR. FISCHER GMBH		Microscope - HS		