

Edition: 05/06 - subject to change

Supersedes: /
Status: valid

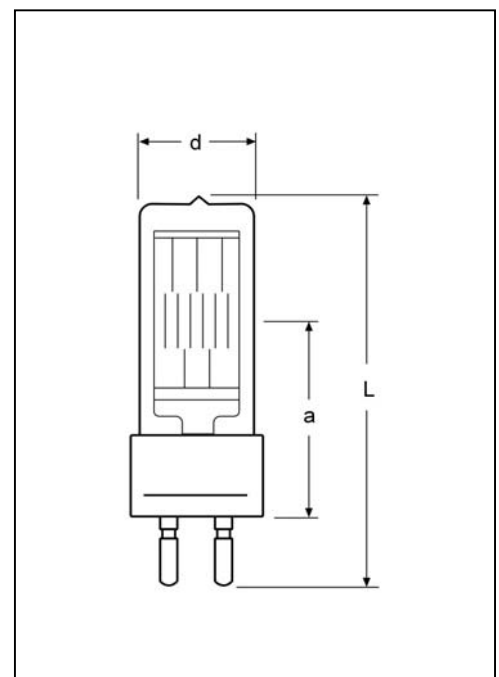
64796 (230V)

■ Product description

The OSRAM 64796 is mainly used for studio and theatre lighting as well as film production and fitted into Frensel, Profile, PC Spot and Follow Spot luminaires.

■ Technical Data

Lamp / order reference		64796
ANSI		-
LIF		CP/91
Rated lamp wattage	W	2500
Rated lamp voltage	V	230
Average life-time	h	400
Color temperature	K	3200
Luminous flux	lm	65000
Luminous efficiency	Lm/ W	26
Base		G22
Diameter d	mm	34 ± 1
Lamp length L	mm	max. 175
LCL a	mm	90 ± 2
Filament dimensions (w x h)	mm	20 x 19
Type of coil		biplan



■ Lamp operation

Max. pinch seal temperature	°C	350°C max.
Burning position		s90
Fuse protection		10A quick