

**Edition: 05/06** - subject to change  
**Supersedes: 04/89**  
**Status: valid**

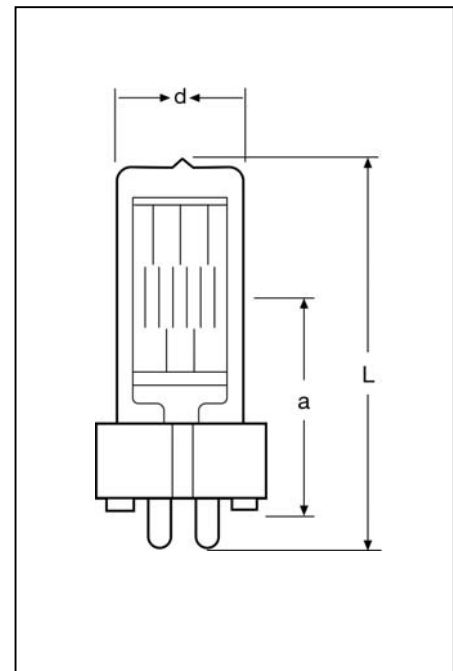
**64745 (230V)**

## ■ Product description

The OSRAM 64745 is mainly used for studio and theatre lighting as well as film production. This is a popular lamp and widely fitted into Fresnel, Profile, PC Spot and Follow Spot luminaires. The 64744 T/19 is an equivalent for 3000K.

## ■ Technical Data

|                             |      |          |
|-----------------------------|------|----------|
| Lamp / order reference      |      | 64745    |
| ANSI                        |      | FVA      |
| LIF                         |      | CP/70    |
| Rated lamp wattage          | W    | 1000     |
| Rated lamp voltage          | V    | 230      |
| Average life-time           | h    | 200      |
| Color temperature           | K    | 3200     |
| Luminous flux               | lm   | 26000    |
| Luminous efficiency         | Lm/W | 26.00    |
| Base                        |      | GX 9.5   |
| Diameter d                  | mm   | 25 ± 1   |
| Lamp length L               | mm   | 110 max. |
| LCL a                       | mm   | 55 ± 2   |
| Filament dimensions (w x h) | mm   | 13 x 15  |
| Type of filament            |      | biplan   |



## ■ Lamp operation

|                                |            |
|--------------------------------|------------|
| Max. pinch seal temperature °C | 400°C max. |
| Burning position               | s90        |
| Fuse protection                | 6A quick   |