

# Technical Information

No. DO 5238

Edition: 11/05 - subject to change

Substitutes: ---

Status: valid

# Tungsten Halogen Low Voltage Lamp

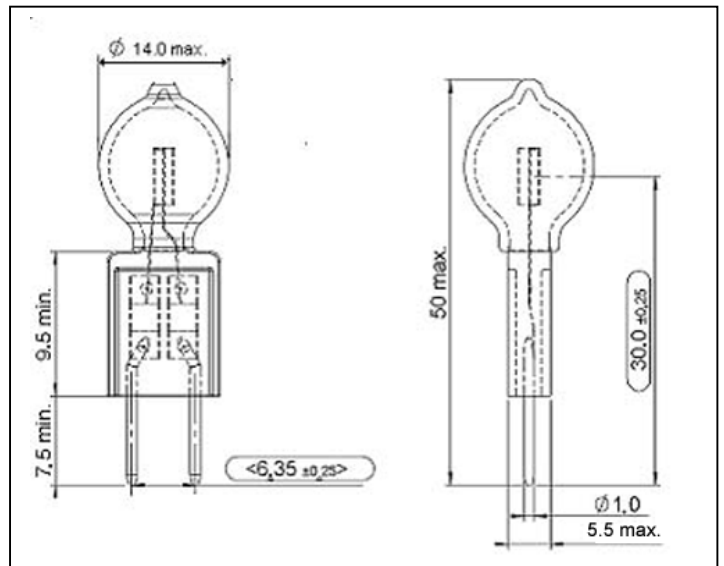
# 64668 XIR

## ■ Product description

The 64668 XIR is a tungsten halogen lamp with Xenon filling gas and IR-Coating for surgical lighting.

## ■ Technical data

Order reference	64668 XIR	
ANSI	-	
LIF	-	
Rated lamp wattage	W	80
Rated lamp voltage	V	22.8
Luminous flux	lm	3000
Color temperature	K	3200
Lamp length (overall) l	mm	max. 50
Bulb diameter	mm	max. 14
LCL	mm	$30 \pm 0.25$
Type of filament	C8	
Filament form	axial	
Filament dimensions	mm <sup>2</sup>	2.2 x 5.5
Average service life	h	750
Decrease of lumen output after 70% of nominal lifetime	max. 15%	
Base	G6.35-15 (IEC 61-1, 7004-59)	



## ■ Lamp operation

Maximum permissible pinch temperature	°C	350
Minimum permissible bulb temperature	°C	250
Burning position	h90	
Fuse protection	6.3A, quick acting, on secondary (lamp) circuit	
Minimum free space	defined by a cylinder around base axis with diameter 16 mm	