

## 64580 1000 W 230 V

Halogen studio lamps, double-ended



### Areas of application

- Professional film and TV work
- Theater and concert stages
- Entertainment

### Product features

- Operation at mains voltage: 120 V | 230 V | 240 V
- Color temperature: 3,200 K (for professional film and TV work)
- Color temperature: 3,400 K (for maximum luminous efficacy)



# Product datasheet

---

## Technical data

---

### Electrical data

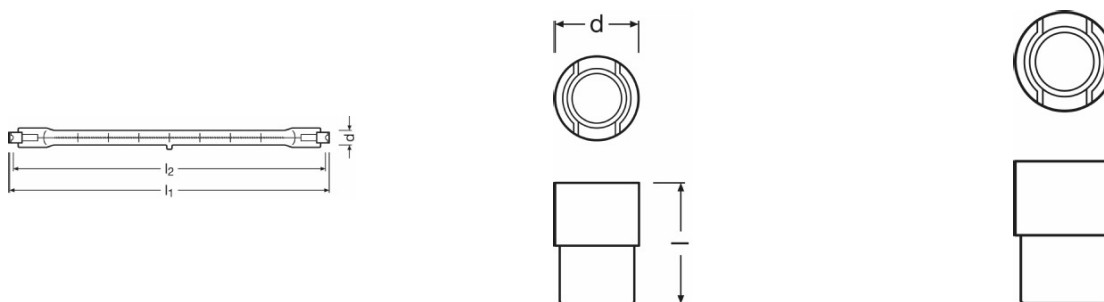
Nominal wattage	1000 W
Nominal voltage	230 V

### Light technical data

Luminous flux	35000 lm
Color temperature	3400 K

### Dimensions & weight

---



Product line drawing

Base

Base

---

Diameter	12.0 mm
Length	127.1 mm

### Lifespan

Lifespan	15 h
----------	------

### Additional product data

Base (standard designation)	R7s
Picto Studio	Yes

### Certificates & standards

EEI – Energy Label	B
--------------------	---

### Country specific categorizations

Order reference	64580
-----------------	-------

## Product datasheet

---

### Country specific information

---

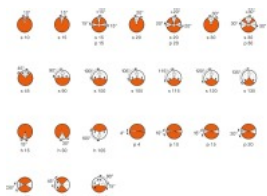
Product code	METEL code	SEG-No.	STK number	UK Org
4050300006888	OSRH64580	-	4739730	-

---

## Product datasheet

### Safety advice

To prevent personal injury or damage to property, halogen lamps may only be operated in suitable luminaires designed with suitable mechanisms (protective shields, grids, etc.) to ensure that in the event of a lamp bursting no parts/shards can escape and that during operation no ultraviolet radiation can escape. There must also be a warning sign to indicate that the lamps give off high levels of heat. Detailed information is available on request.



Burning position

### Logistical Data

Product code	Product description	Packaging unit (Pieces/Unit)	Dimensions (height x width x length)	Volume	Gross weight
4050300006888	64580 1000 W 230 V	Folding carton box 1	26 mm x 26 mm x 163 mm	0.11 dm <sup>3</sup>	14.93 g
4050300147079	64580 1000 W 230 V	Shipping carton box 12	117 mm x 95 mm x 175 mm	1.95 dm <sup>3</sup>	222.16 g

The mentioned product code describes the smallest quantity unit which can be ordered. One shipping unit can contain one or more single products. When placing an order, for the quantity please enter single or multiples of a shipping unit.

### References / Links

A summary of studio lamps can be found on the halogen studio lamps poster.  
For more information on halogen lamps for studio, stage and TV see the brochure:  
"Good news for show business"  
"Halogen High Voltage Lamps" cross reference list

### Disclaimer

Subject to change without notice. Errors and omission excepted. Always make sure to use the most recent release.