

Edition: 05/06 - subject to change
Supersedes: 11/98
Status: valid

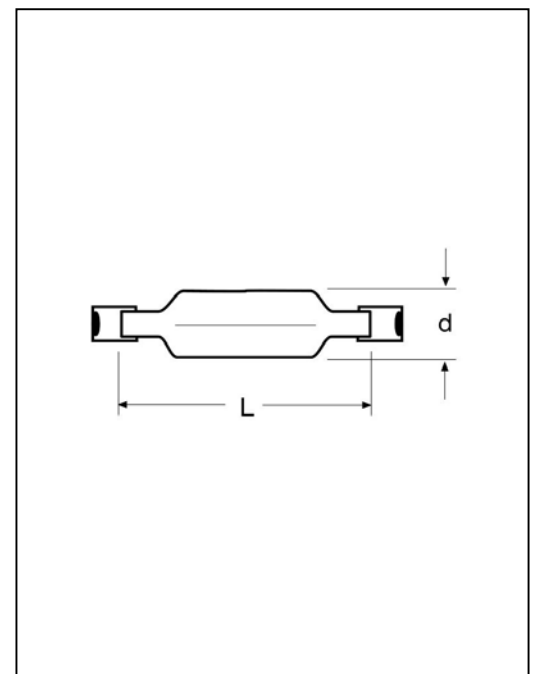
64571(230/240V)

■ Product description

The OSRAM 64571 is typically used in photographic or film studios and theaters. The main applications are Cyclorama Lights and Halogen Softlights. The Cyc lights provide a uniform wash, which makes them especially suited to cyc and backdrop lighting. Softlights are indirect fill-lights that provide a very soft even wash of light.

■ Technical Data

Lamp / order reference	64571	
ANSI	DXX	
LIF	P2/13	
Rated lamp wattage	W	800
Rated lamp voltage	V	230 (240*)
Average life-time	h	75
Color temperature	K	3200
Luminous flux	lm	21000
Luminous efficiency	Lm/W	27.0 (25.6*)
Base	R7s	
Diameter d	mm	17 max.
Lamp length L	mm	74.9 max.
Length of coil	mm	20
Type of coil	CC	



* referred to 240V

■ Lamp operation

Max. pinch seal temperature	°C	350°C max.
Burning position	s180	