

Technical Information

No. FO 4265

Edition: 02/05 - subject to change

supersedes: 05/02

Status: valid

High-Voltage Halogen Lamp

64516

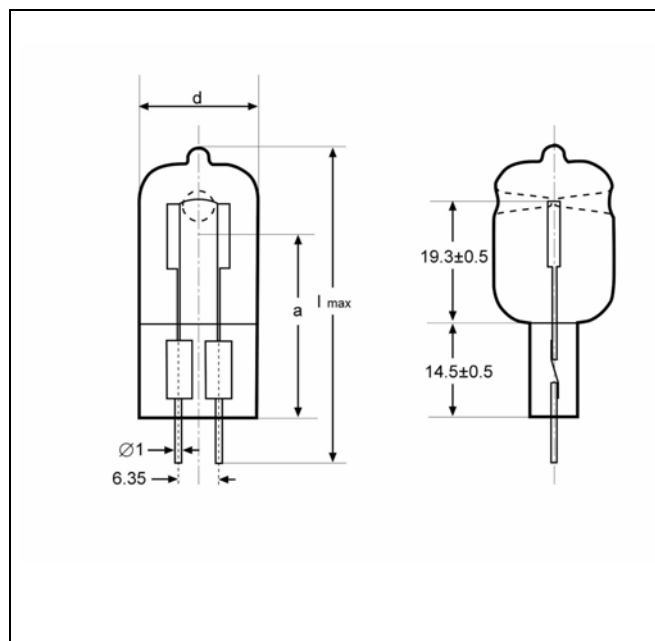
230V / 240V

■ Product description

Halogen lamp for photo- and video- luminaries and for studio. The 64516 is the long-life lamp of the 64515 with 75h average service life.

■ Technical data

| | | |
|-----------------------------|----|-------------------|
| Order reference | | 64515 |
| ANSI | | - |
| LIF | | CP/97 |
| Voltage | V | 230 ¹ |
| Rated wattage | W | 300 |
| Luminous flux | lm | 7900 ² |
| Colour temperature | K | 3100 |
| Lamp length <i>l</i> | mm | max. 53 |
| LCL <i>a</i> | mm | 27±1 |
| Bulb diameter <i>d</i> | mm | max. 18.5 |
| Filament dimensions (w x h) | mm | 9.72 x 12.5 |
| Type of filament | | Dimple technology |
| Average service life | h | 75 |
| Base | | GX 6.35 |



■ Required conditions of operation

| | | |
|--------------------------------------|----|---|
| Burning position | | s90 |
| Maximum permissible seal temperature | °C | 450 |
| Required protection | | G-melt flow field 250V, quick, 4 A, DIN 41660 (CEE 4/IEC 127) |

¹ also available in 240V

² 240V: 7800 lm