

Technical Information

No. FO 5270

Edition: 02/05 - subject to change

supersedes: 05/02

Status: valid

High-Voltage Halogen Lamp

64515

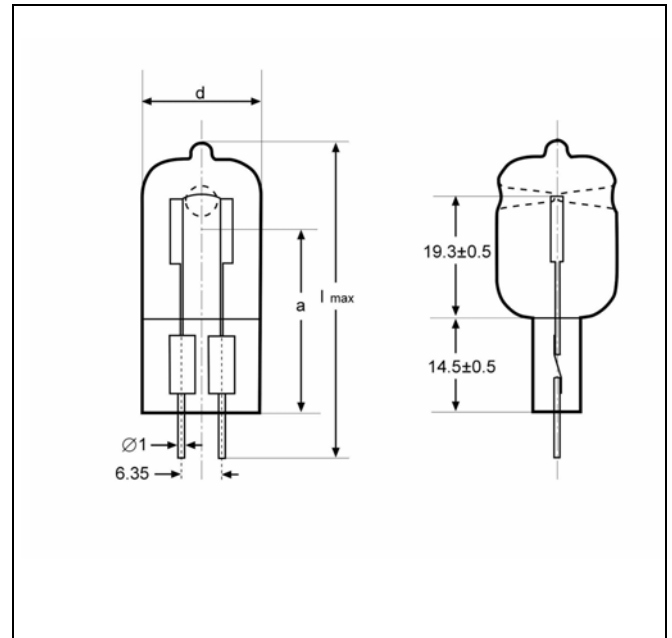
230V / 240V

■ Product description

Halogen lamp for photo- and video- luminaries and for flashlights.

■ Technical data

Order reference		64515
ANSI		-
LIF		-
Voltage	V	230 ¹
Rated wattage	W	300
Luminous flux	lm	9600 ²
Colour temperature	K	3290 ³
Lamp length l	mm	max. 53
LCL a	mm	27±1
Bulb diameter d	mm	max. 18.5
Filament dimensions (w x h)	mm	9.84 x 12.5 ⁴
Type of filament		Dimple technology
Average service life	h	15
Base		GX 6.35



■ Required conditions of operation

Burning position		s90
Maximum permissible seal temperature	°C	450
Required protection		G-melt flow field 250V, quick, 4 A, DIN 41660 (CEE 4/IEC 127)

¹ also available in 240V

² 240V: 9300 lm

³ 240V: 3280 K

⁴ 240V: 10.14 x 12.5