

Technical Information

No. DO 4241

Edition: 05/09 - subject to change

Supersedes 08/08

Status: valid

Tungsten Halogen Lamp
for Airfield Lighting



64341 HLX-A or Z (C)

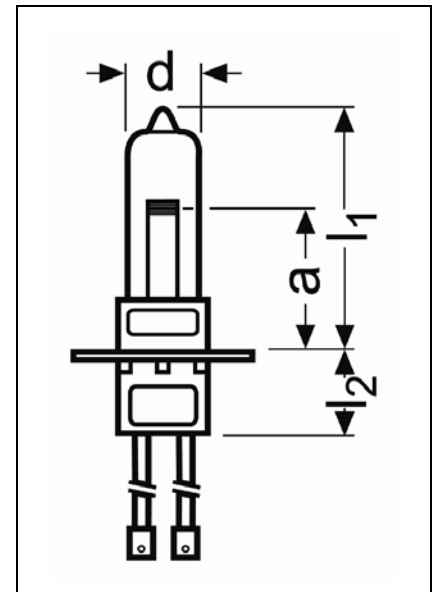
■ Product description

The OSRAM 64341 HLX-A or Z (C) is a tungsten halogen lamp for the following applications:

Approach, touchdown zone, threshold, runway centreline, runway end and edge lighting, taxiway centreline and edge lighting.

■ Technical data

Order reference	64341 HLX-A or Z (C) 100-15	
LIF	J1/79	
Maximum operation current	A	6.6
Base	PK30d	
Connector:	 A	female ¹
	 Z (C)	male ²
Cable length (k)	mm	min. 125
Rated lamp wattage	W	100
Maximum initial wattage	W	110
Average life	h	1,500
Color temperature	K	3,150
Rated luminous flux	lm	2,700
Minimum initial luminous flux	lm	2,430
Luminous flux after 750 h	lm	min. 100% of initial value
Bulb diameter (d)	mm	max. 13,5
Length (l ₁)	mm	max. 32
Length (l ₂)	mm	max. 16
LCL (a)	mm	20.0
Filament type	CBar-6	
Filament dimensions (w x h)	mm	5.3 x 3.0
Deviation of filament centre	mm	max. 1.0 (refers to base axis)



■ Lamp operation

Burning position	s 90	
Maximum pinch temperature	°C	350
Chromaticity	within white boundaries as defined in Annex 14 to the Convention of International Civil Aviation	

¹ Female connector A complies with DIN 46247

² Male connector Z (C) complies with DIN 46248