



product details

64319 A 45-15

Product description: 64319 A 45-15
 Product code: 4008321345554
 Quantity: Folding carton box (FS) contains 1 Piece (PCE)

You can find this product in the eCatalog:

http://catalog.myosram.com?~language=EN&~country=COM&it_p=4008321345554

Capabilities				
Burning position	s90			
Additional product data				
Base (standard designation)	PK30d			
Electrical data				
Nominal wattage	45 W			
Nominal current	6.6 A			
Dimensions & weight				
Diameter	13.5 mm			
Length with base excl. base pins/connect	32.00 mm			
Mounting length	16 mm			
Light center length (LCL)	20 mm			
Length	50.00 mm			
Lifespan				
Lifespan	1500 h			
Light technical data				
Luminous flux	800 lm			
Packaging units				
Product code	Packaging type and content	Dimensions in h x w x l	Gross weight	Volume
4008321345554	Folding carton box contains 1 Piece	37,000 mm x 33,000 mm x 71,000 mm	1,000 g (0,000 g)	0,087 Cubic dec.
4008321345561	Shipping carton box contains 100 Piece	191,000 mm x 154,000 mm x 341,000 mm	2 241,000 g (0,000 g)	10,030 Cubic dec.

Safety

To prevent personal injury or damage to property, halogen lamps may only be operated in suitable luminaires designed with suitable mechanisms (protective shields, grids, etc.) to ensure that in the event of a lamp bursting no parts/shards can escape and that during operation no ultraviolet radiation can escape. There must also be a warning sign to indicate that the lamps give off high levels of heat. Detailed information is available on request. • For more information on airfield lamps see the brochure The Reliable Guiding Stars - Effective Solutions for Airfield Lighting: Tungsten Halogen Lamps and Innovative IRC Technology (122 D04 10/03) • All airfield lamps are available with connector combinations A, B, C/Z on request

Technical Information

No. DO 4489

Edition: 05/09 - product details - subject to change

64319 A 45-15

Supersedes 08/08

Status: valid

Tungsten Halogen Lamp
for Airfield Lighting



64319 A or Z (C)

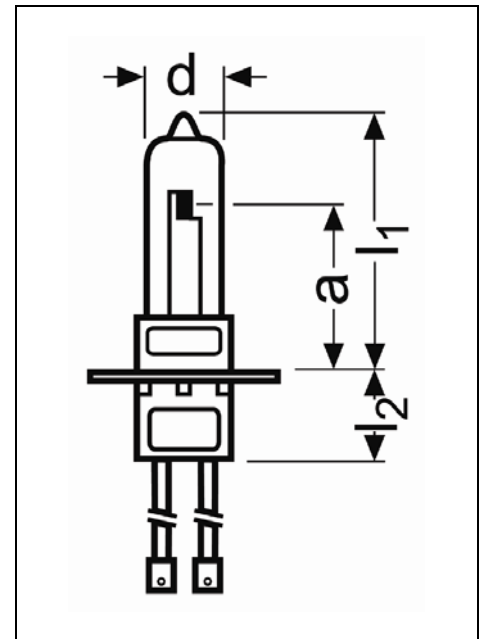
■ Product description

The OSRAM 64319 A or Z (C) is a tungsten halogen lamp comparable to the OSRAM 64317 Z (C) but with 20.0 mm instead of 16.0 mm LCL for the following applications:

Taxiway centre line, stopbar, runway edge, taxiway edge, runway end, threshold and approach lighting.

■ Technical data

Order Reference	64319 A or Z (C) 45-15	
LIF	-	
Maximum operation current	A	6.6
Base	PK30d	
Connectors:		A female ¹
		Z (C) male ²
Cable length	mm	min. 125
Rated lamp wattage	W	45
Maximum initial wattage	W	51.5
Average life	h	1,500
Color temperature	K	3,000
Rated luminous flux	lm	800
Minimum initial luminous flux	lm	730
Luminous flux after 750 h	lm	min. 98% of initial value
Bulb diameter (d)	mm	max. 13.5
Length (l ₁)	mm	max. 34
Length (l ₂)	mm	max. 16
LCL (a)	mm	20.0
Filament type	C-8	
Filament dimensions (wxh)	mm	1.4 x 3.4
Deviation of filament centre	mm	max. 1.0 (refers to base axis)



■ Lamp operation

Burning position	s 90	
Maximum pinch temperature	°C	350
Chromaticity	within white boundaries as defined in Annex 14 to the Convention of International Civil Aviation	

¹ Female connector A complies with DIN 46247

² Male connector Z (C) complies with DIN 46248

Technical Information

No. DO 4489

Edition: 08/08 - product details - subject to change

64319 A 45-15

Supersedes 04/06

Status: valid

Tungsten Halogen Lamp
for Airfield Lighting



64319 A/Z (C)

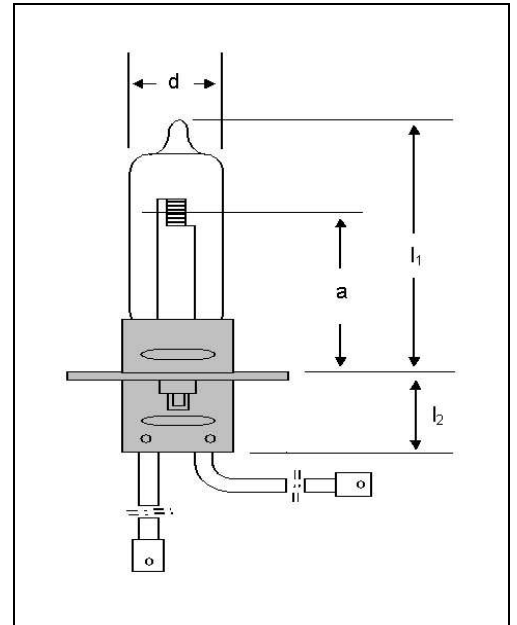
■ Product description

The OSRAM 64319 A/Z (C) is a tungsten halogen lamp comparable to the OSRAM 64317 Z (C) but with 20.0 mm instead of 16.0 mm LCL for the following applications:

Taxiway centre line, stopbar, runway edge, taxiway edge, runway end, threshold and approach lighting

■ Technical data

Order Reference	64319 A/Z (C) 45-15	
LIF	-	
Maximum operation current	A	6.6
Base	PK30d	
Connectors:	 A	female ¹
	 Z (C)	male ²
Cable length	mm	min. 125
Rated lamp wattage	W	45
Maximum initial wattage	W	51.5
Average life	h	1,500
Color temperature	K	3,000
Rated luminous flux	lm	800
Minimum initial luminous flux	lm	730
Luminous flux after 750 h	lm	min. 98% of initial value
Bulb diameter (d)	mm	max. 13.5
Length (l ₁)	mm	max. 34
Length (l ₂)	mm	max. 16
LCL (a)	mm	20.0
Filament type	C-8	
Filament dimensions (wxh)	mm	1.4 x 3.4
Deviation of filament centre	mm	max. 1.0 (refers to base axis)



■ Lamp operation

Burning position	s 90	
Maximum pinch temperature	°C	350
Chromaticity	within white boundaries as defined in Annex 14 to the Convention of International Civil Aviation	

¹ Female connector A complies with DIN 46247

² Male connector Z (C) complies with DIN 46248