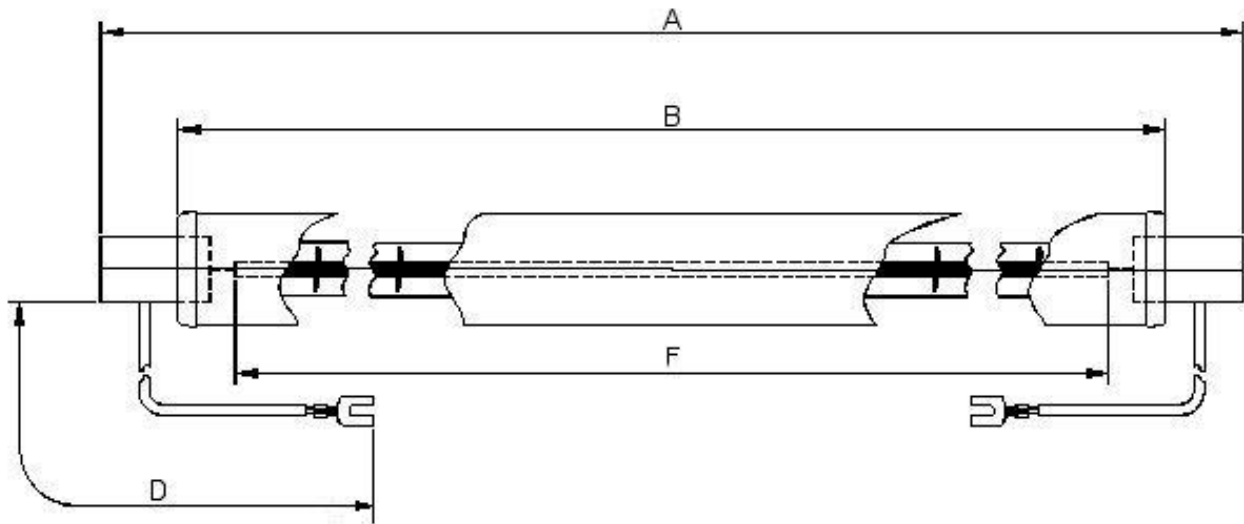


Victory Lighting Product Data Specification

Product Code: 64231132
Issue No: 2
Issue Date: 1 December 2008



Dimensions

A	526±2	D	230±5
B	486 nom	F	460 Nom

All dimensions in mm unless otherwise stated

Technical Data

Volts	230	Cap	Sk15
Watts	1100	Life	5000
Finish	Ruby jacket	Burning Position	Universal

Lead: PTFE insulated with silicon impregnated glass fibre sleeve, M4 fork terminals.
Ruby Quartz jacket.

230V 1100W Ruby jacket IR Lamp

Authorised By