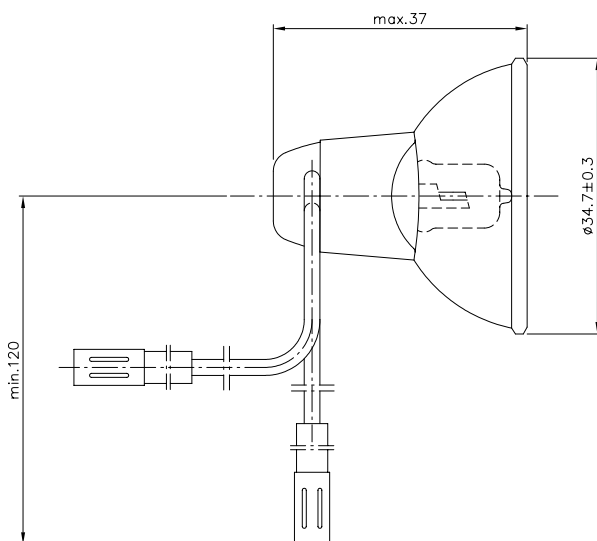





## Airfield Halogen Dichroic Reflector

	<b>Type 6102</b> <b>6,6A 40W cable round female</b>
	<b>Ordering - No.</b> <b>9230.187.85931</b>
<b>Product description</b>	Halogen Airfield Lamp with integrated reflector
<b>Features</b>	high and constant lumen output, long lifetime, excellent optical adjustment, strong focus light
<b>Applications</b>	Approach and threshold lights Runway and taxiway lights Airport Signs Stop bar and touchdown zone lights

### Drawing (in mm)



### Technical Details

Rated current (A)	6,6
Wattage (W)	40 +/- 10%
Axial Light Intensity (kcd)	min. 10,5
Reflector type	MR11
Average lifetime (hours)	1500
Base	flexible cable
Cable connector	round female 4mm diameter
Cable length (mm)	min. 120
Maximum Overall Length (mm)	max. 37
Reflector Diameter (mm)	34,7 +/-0,3
Light Center Length (mm)	-
Maximum allowed cable temperature (°C)	250
Maximum allowed pinch temperature (°C)	350
Filament Type	C-8
Burning Position	S90
Chromaticity	within white boundaries
Packaging quantity	100pcs.
Environmental remark	 Product don't contain lead or mercury and is conform with Directive 2002/95/EC "Restriction of the use of certain hazardous substances in electrical and electronic equipment".

valid from	31.03.2011—V3—PN11/0085
replace for	16.09.2005
file	9230/187/85900100.pub