



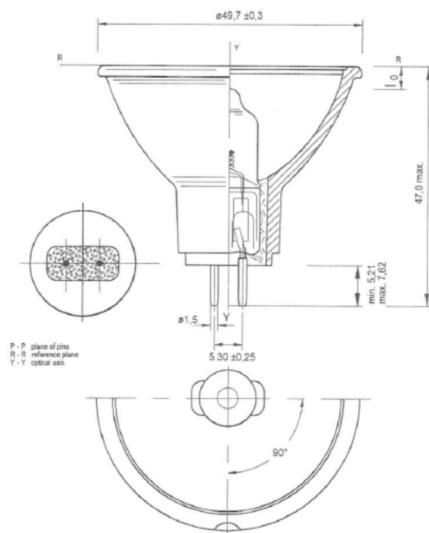
Projection

	Type 54210 17V 150W GX5,3
	Ordering - No. 54210
Product Description	Halogen reflector lamp
Features	Quartz Bulb, Pre-Focused (Filament), Dimmable
Application	Projection

Technical Details

Rated Voltage (V)	17
Wattage (W)	150
Beam center intensity (kcd)	23
Half value angle (°)	12
Average Lifetime (h)	1000
Base	GX5,3
Reflector Finish	smooth
Operating Position	S105 
Max. permissible Temperatures (degree C)	350 • Pinch • Bulb 900
Environmental Remark	Product don't contain lead or mercury and is conform with Directive 2011/65/EC "Restriction of the use of certain hazardous substances in electrical and electronic equipment".

Drawing (in mm)



valid from	07.04.2017-V1-PN17/0165
replace for	-
file	54210.100.pdf