




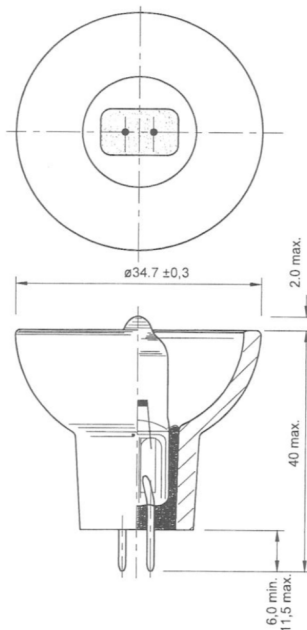
## Projection

	<b>Type 54005</b> <b>6V 15W GZ4</b>
	<b>Ordering - No.</b> <b>54005</b>
<b>Product Description</b>	Halogen reflector lamp
<b>Features</b>	Quartz Bulb, Pre-Focused (Filament), Dimmable
<b>Application</b>	Projection

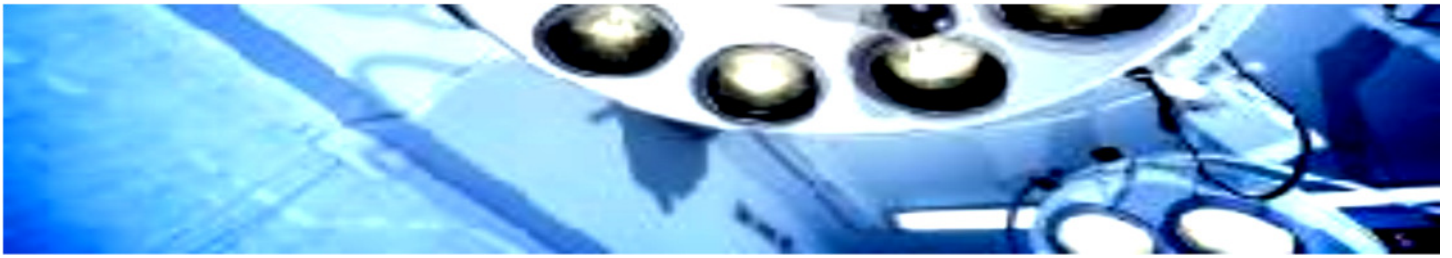
## Technical Details

ANSI Code	-
LIF Code	-
Rated Voltage (V)	6
Wattage (W)	15
Color Temperature (K)	2900
Average Lifetime (h)	750
Base	GZ4
Reflector Finish	smooth
Operating Position	S105 
Max. permissible Temperatures (degree C)	<ul style="list-style-type: none"> <li>• Pinch 400</li> <li>• Bulb 900</li> </ul>
Environmental Remark	Product don't contain lead or mercury and is conform with Directive 2011/65/EC "Restriction of the use of certain hazardous substances in electrical and electronic equipment".

## Drawing (in mm)

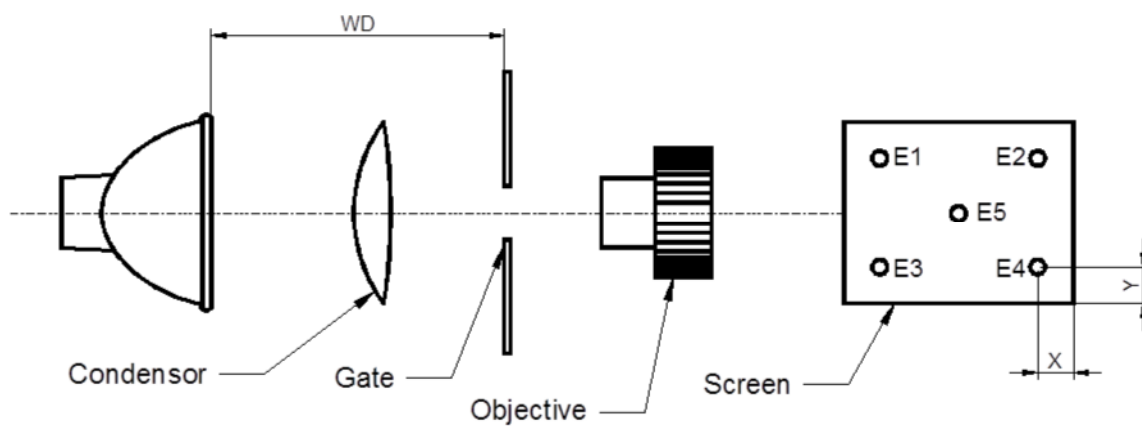


valid from	18.01.2017-V1-PN17/0044
replace for	-
file	54005.100.pdf



## Projection

Technical Details	
Working Distance WD (mm)	92
Condensor f (mm)	42
Gate (mm)	18 / round
Objective f (mm)	20
Screen Size (mm)	356 x 279
Cell Position X/Y (mm)	40/40
Screen Illumination on Center (Lx)	700 av. min. 550 min.
Screen Illumination on Corner (%)	20 min.
$\frac{E_{Center} - E_{min}}{E_{Center}}$	



valid from	18.01.2017-V1-PN17/0044
replace for	-
file	54005.100.pdf