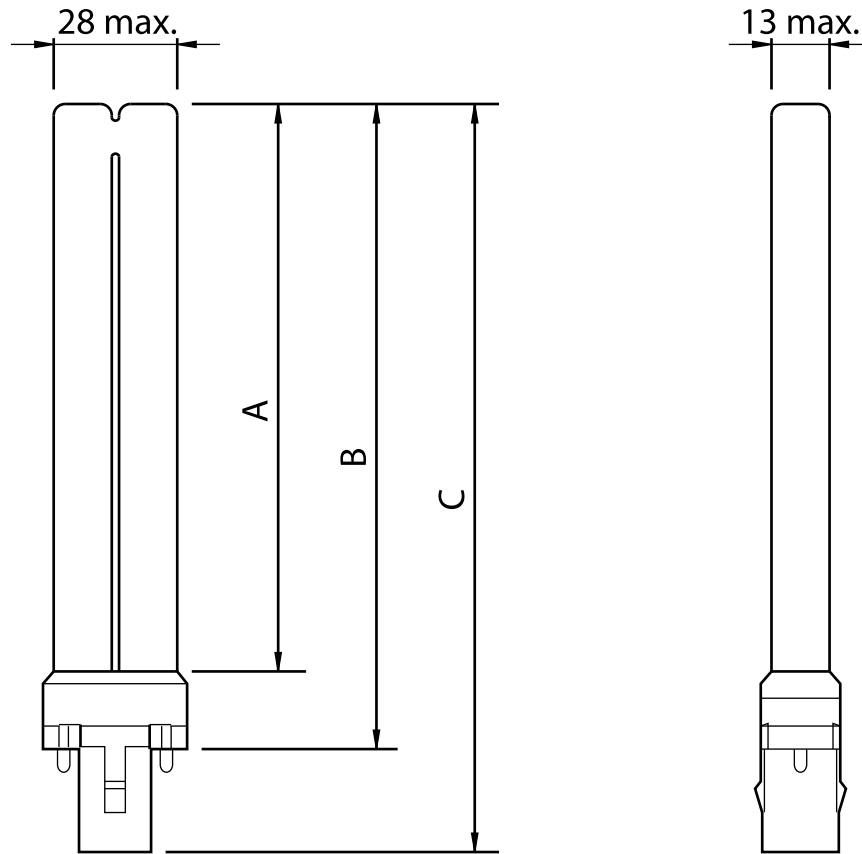


# INDUSTRIAL SPECIALTY LIGHTING

## Industrial medical - Datasheet



### MEDICAL FLUORESCENT LAMPS - PL-S 9W/01 G23 2P UVB

**PRODUCT NUMBER** 820425427

[ ]

**WAVELENGTH (PEAK)** 310-315 (311)

NM

**COLOR** 01

/

**AVERAGE LIFE**

H

**BULB** PL-S 2P

/

**BASE** G23

/

**DIMENSIONS (AxBxC)** 129 x 145 x 167

MM

**REMARKS**

**BRAND** PHILIPS



MEDICAL



ENTERTAINMENT



TRAFFIC



MARINE



RAILWAY



AIRFIELD



VARIOUS



TAILOR MADE



IR / UV



PROJECTION