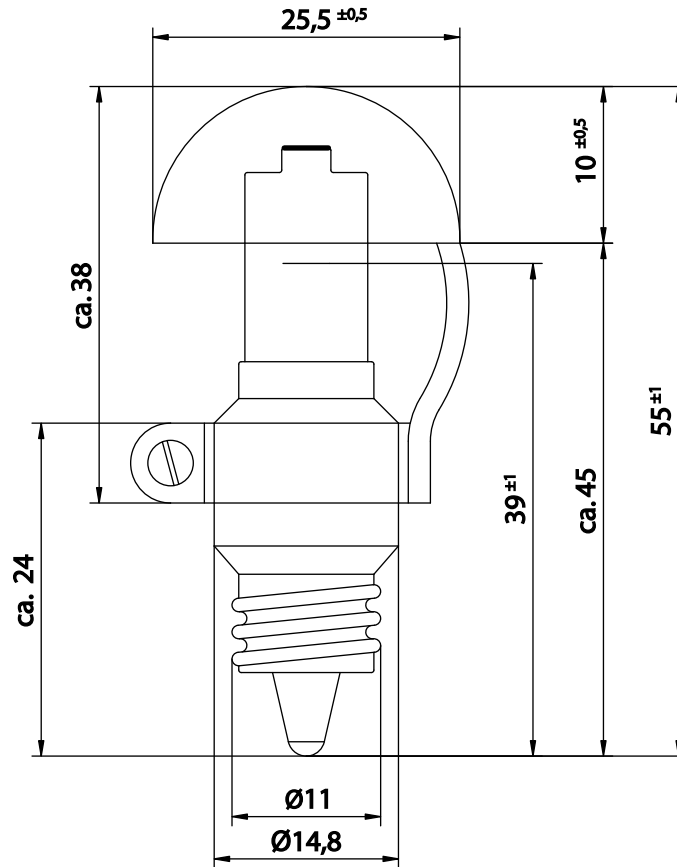


INDUSTRIAL SPECIALTY LIGHTING

Industrial medical - Datasheet



MEDICAL LAMPS - 24V 40W E11 BLACKSHIELD DR. FISCHER

PRODUCT NUMBER **302847018**

[]

Tol.

VOLTAGE	24	V
WATTAGE	40	W
LUMEN OUTPUT		LM
LUMEN PRO WATT		LM/W
AVERAGE LIFE		H
BASE	E11	/
REMARKS	SKYTRON SH42	
BRAND	NEUTRAL	



MEDICAL



ENTERTAINMENT



TRAFFIC



MARINE



RAILWAY



AIRFIELD



VARIOUS



TAILOR MADE



IR / UV



PROJECTION