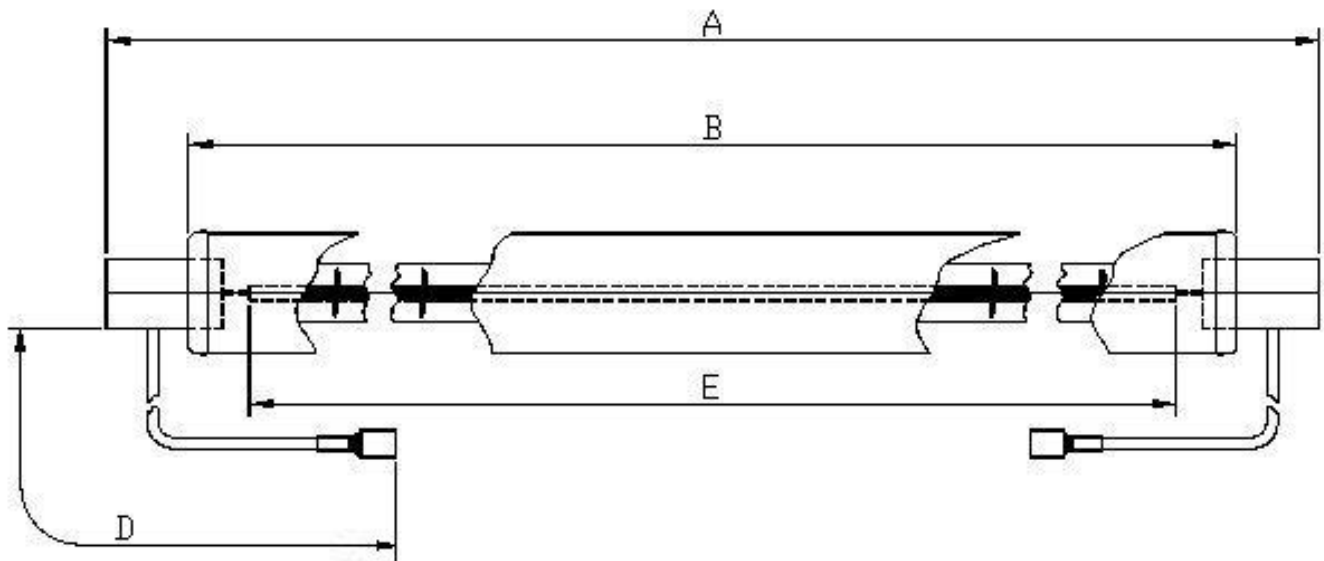


Victory Lighting Product Data Specification

Product Code: 54241037
Issue No: 5
Issue Date: 8 September 2004



Dimensions

A	526±2	D	80±5
B	486±2	E	460 nom

All dimensions in mm unless otherwise stated

Technical Data

Volts	220/240	Colour Temp	
Watts	1000	Life	5000
Lumen/Watt	4-6	Burning Position	Universal
Finish	Ruby jacket	Leads	Double ins
Cap	Sk15		

Leads: PTFE insulated, with silicon impregnated glass fibre sleeve. 'Davico' insulated male 6.3mm tab terminals.

220/240v 1000w Ruby jacketed IR Lamp	Authorised By
--------------------------------------	---------------