



14117Z 750W 230V CL UNP

Product family description

Tubular double-ended InfraRed halogen lamp

Product Features

- High-efficiency heat source for relaxation applications such as InfraRed sauna cabins
- Comfortable heat
- Short and effective sessions
- Designed to match the body
- Heat can be directed by reflectors
- Easy to install

Product Benefits

- A healthy and comfortable form of relaxation
- No pre-heating for shorter, more effective sessions and higher energy-efficiency
- Short-wave technology for optimum warming of human skin and muscles
- Easy to install, even in smaller spaces
- Instant heat: full power within 1 second of switch-on
- Clean heat source with no emissions
- Safe: quartz envelope is heat-shock resistant
- Economical: more than 90% of consumed energy is transmitted as heat
- Compact heat source; lamps have a narrow diameter
- Can be used with presence detection: on/off switching does not affect lamp lifetime
- Low maintenance: long lifetime of about 5.000 hours
- Compact heat source; lamps have a narrow diameter

Application

- InfraRed sauna cabins
- Various industrial processes

Product data	
Order code	518569 25
Full product name	14117Z 750W 230V CL UNP
Packing type	Unpacked
Pieces per pack	1

PHILIPS

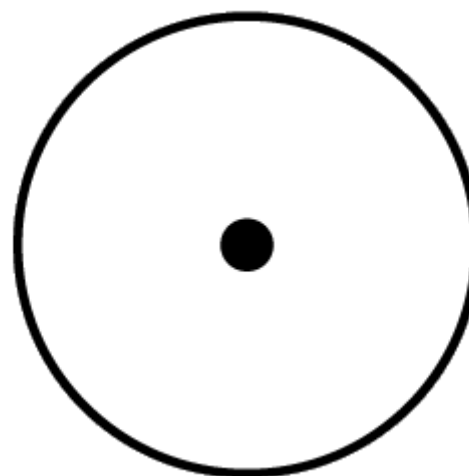
Product data	
Net weight per piece	93.000 GR
Successor order code	
Philips Code	14117Z
Cap-Base	SK15
Cap-Base Information	Spliced
Bulb Finish	Clear
Operating Position	any
Packing Type	UNP [Unpacked]
Packing Configuration	10
Life to 50% failures	5000 hr
Lamp Wattage	750W
Voltage	230V



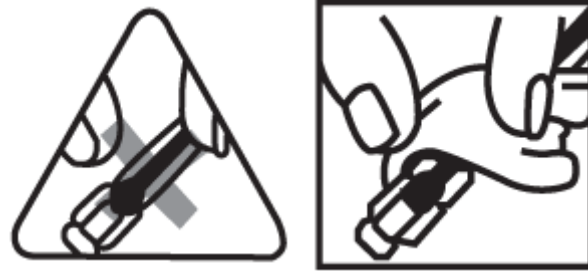
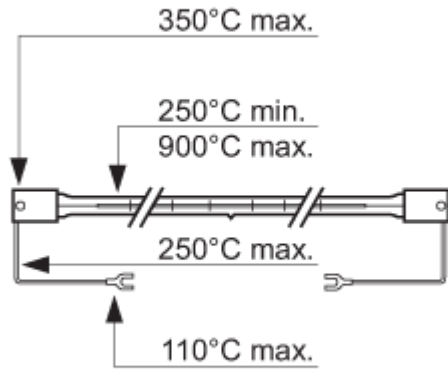
XHIRINDV/Spliced CL



Cap-Base SK15

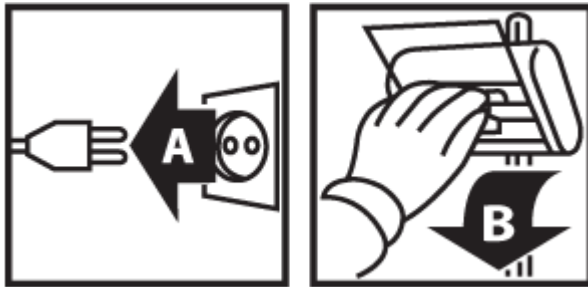


Operating Position any

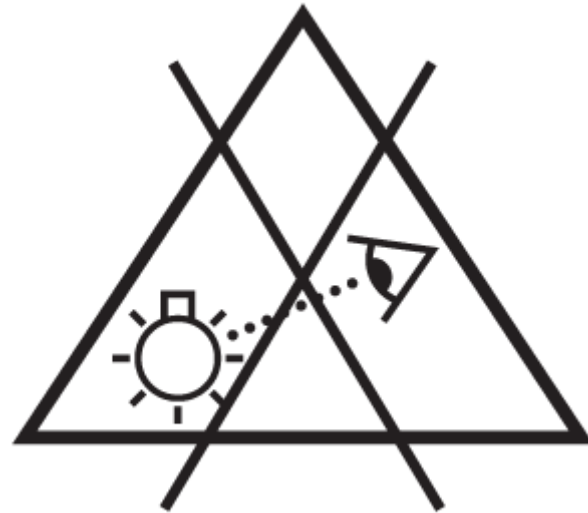


Preferably do not touch quartz with bare hands. If grease or chemical compound have been deposited on quartz, simply clean before lighting with cloth moistened with alcohol.

Permissible temperature



Disconnect installation from power supply before removing or installing a lamp.



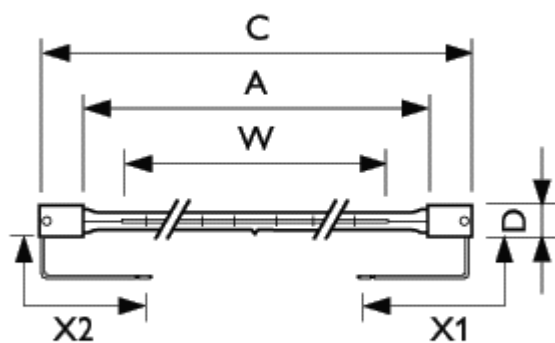
Prolonged looking at the lamp during operation may result in damage on the eye.



Keep dry.



Non-household



XHIRINDV SK I 5/Spliced

	A	A	C	C	D	D
Full product name	Min	Min	Max	Max	Max	Max
14117 Z 750W 230V	738	738	787	787	11	11

	A	A	C	C	D	D
Full product name	Min	Min	Max	Max	Max	Max
CL UNP						

	W	W	X1	X1	X2	X2
Full product name	Nom	Nom	Nom	Nom	Nom	Nom
14117Z 750W 230V CL UNP	700	700	1200	1200	230	230

Full product name
14117Z 750W 230V CL UNP



©2009 Koninklijke Philips Electronics N.V.

All rights reserved. Reproduction in whole or in part is prohibited without the prior written consent of the copyright owner. The information presented in this document does not form part of any quotation or contract, is believed to be accurate and reliable and may be changed without notice. No liability will be accepted by the publisher for any consequence of its use. Publication thereof does not convey nor imply any license under patent- or other industrial or intellectual property rights.

Document order number : 0000 000 00000