

# Halogen reflector

13289 50W GX5.3 13.8V 1CT



Philips' halogen reflector lamps offer the ideal no-fuss solution for a wide variety of medical, projection and scientific illumination systems. Their proven reliability makes them ideal for retrofit installations. The burners are precisely aligned for optimal light performance. Dichroic reflectors ensure heat dissipation towards the back of the optical system, which helps the optical system remain within temperature limits. A special blue-filter version blocking out unwanted light above 700 nm is available for dental curing applications. In addition, you get all the proven advantages of halogen technology such as a CRI of 100 – the same as natural sunlight for the best possible color rendering. Halogen lamps also create a comfortable warm white light, and they maintain their high lumen output with almost no lumen reduction throughout their lifetime.

## Product data

### • General Characteristics

Philips Code	13289
ANSI Code	-
LIF Code	-
Cap-Base	GX5.3
Bulb	R50
Bulb Material	Quartz-UV Open
Reflector Finish	Smooth
Operating Position	any
Main Application	Projection
Life to 50% failures	1000 hr

### • Light Technical Characteristics

Color Rendering Index	100 Ra8
-----------------------	---------

### • Electrical Characteristics

Lamp Wattage	50 W
Voltage	13.8 V
Dimmable	Yes

### • Luminaire Design Requirements

Pinch Temperature	350 (max) C
Bulb Temperature	900 (max) C
Working Distance	53 mm
WD	

### • Product Dimensions

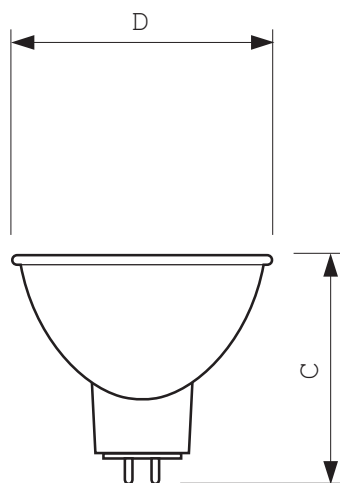
Overall Length C	46 (max) mm
Diameter D	50 (max) mm
Filament Dimensions (WxH) [mm]	-

### • Product Data

Order code	923931518204
Full product code	923931518204
Full product name	13289 50W GX5.3 13.8V 1CT
Order product name	13289 50W GX5.3 13.8V 1CT/10X5F
Pieces per pack	1
Packing configuration	10X5F
Packs per outerbox	50
Bar code on pack - EAN1	8711500410337
Bar code on intermediate packing - EAN2	8711500421630
Bar code on outerbox - EAN3	8711500421647
Logistic code(s) - 12NC	923931518204
Net weight per piece	26.200 gr

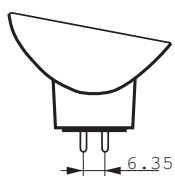
## Dimensional drawing

## Dimensional drawing



### 13289 50W GX5.3 13.8V 1CT

Product	C (Max)	D (Max)	L (Min)	L (Norm)	L (Max)
13289 50W GX5.3 13.8V	46	50	-	-	-



GX5.3



© 2013 Koninklijke Philips Electronics N.V.  
All rights reserved.

Specifications are subject to change without notice. Trademarks are the property of Koninklijke Philips Electronics N.V. or their respective owners.

[www.philips.com/lighting](http://www.philips.com/lighting)

2013, May 9  
data subject to change