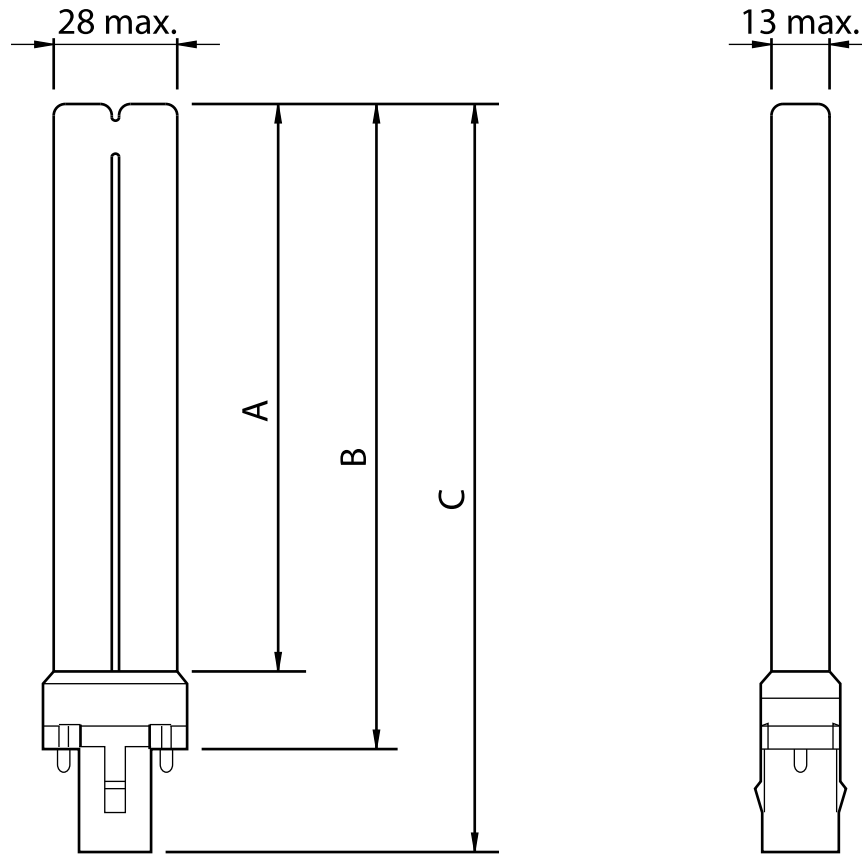


INDUSTRIAL SPECIALTY LIGHTING

Industrial medical - Datasheet



MEDICAL FLUORESCENT LAMPS - PL-S 5W G23 GERMICIDAL UVC

PRODUCT NUMBER 820109504

[]

WAVELENGTH	253.7	NM
COLOR	TUV	/
AVERAGE LIFE	8000	H
BULB	PL-S 2P	/
BASE	G23	/
DIMENSIONS (AxBxC)	67 x 83 x 105	MM
REMARKS		
BRAND	GE	

FOR INFORMATIONAL PURPOSES ONLY. SIL INT. BV. DISCLAIMS ALL WARRANTIES WITHOUT LIMITATION. INFORMATION MIGHT BE SUBJECT TO CHANGE.



MEDICAL



ENTERTAINMENT



TRAFFIC



MARINE



RAILWAY



AIRFIELD



VARIOUS



TAILOR MADE



IR / UV



PROJECTION



Special industrial Lighting
Ruysdaelbaan 3F
5642 JJ Eindhoven
The Netherlands

Tel : + 31 40 2868 913
Fax : + 31 40 2868 207
Website: www.sillamps.com
Email : silint@special.nl