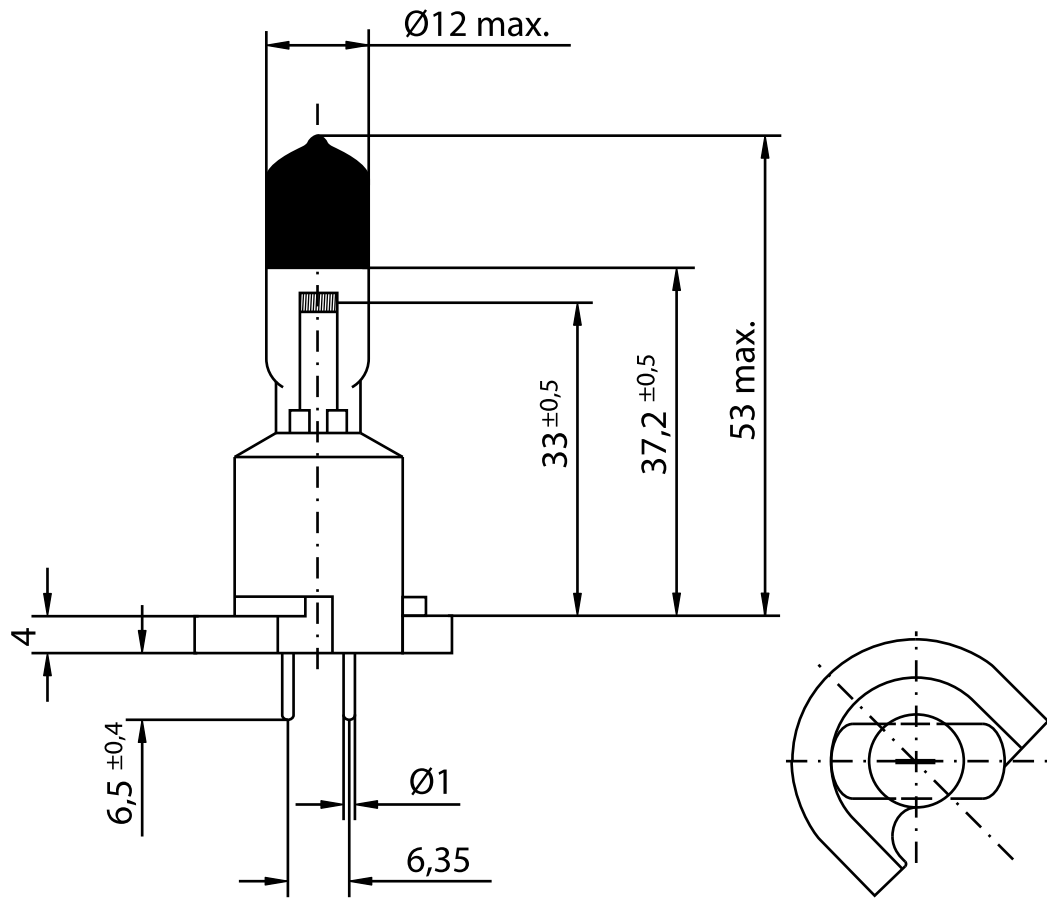


INDUSTRIAL SPECIALTY LIGHTING

Industrial medical - Datasheet



MEDICAL LAMPS - 21.5V 130W SPECIAL

DR. FISCHER BLUE80 53026

PRODUCT NUMBER **302936980** []

Tol.

VOLTAGE	21.5	V	
WATTAGE	130	W	
LUMEN OUTPUT	3500	LM	± 15
LUMEN PRO WATT	25.9	LM/W	
AVERAGE LIFE	1000	H	
BASE	SPECIAL	/	
REMARKS	BLUE 80 BLUELINE		
BRAND	DR. FISCHER		



MEDICAL



ENTERTAINMENT



TRAFFIC



MARINE



RAILWAY



AIRFIELD



VARIOUS



TAILOR MADE



IR / UV



PROJECTION