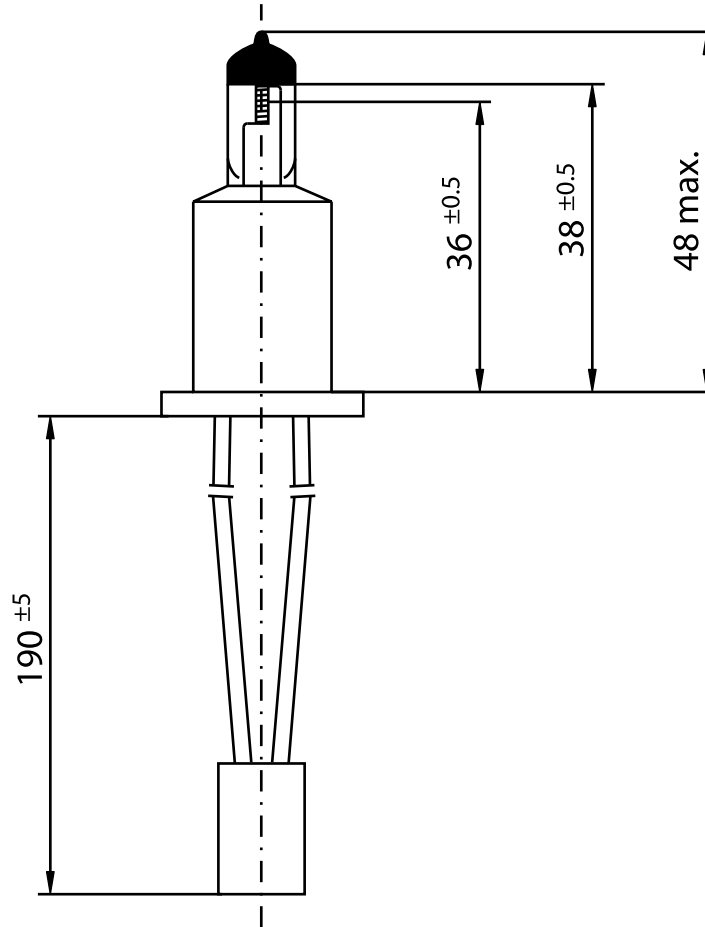


INDUSTRIAL SPECIALTY LIGHTING

Industrial medical - Datasheet



MEDICAL LAMPS - 24V 50W SPECIAL DR. FISCHER BLUE30 53010

PRODUCT NUMBER **302936930** []

Tol.

VOLTAGE	24	V	
WATTAGE	50	W	
LUMEN OUTPUT	1225	LM	±15
LUMEN PRO WATT	22.7	LM/W	
AVERAGE LIFE	600	H	
BASE	SPECIAL	/	
REMARKS	BLUE 30 BLUELINE		
BRAND	DR. FISCHER		



MEDICAL



ENTERTAINMENT



TRAFFIC



MARINE



RAILWAY



AIRFIELD



VARIOUS



TAILOR MADE



IR / UV



PROJECTION