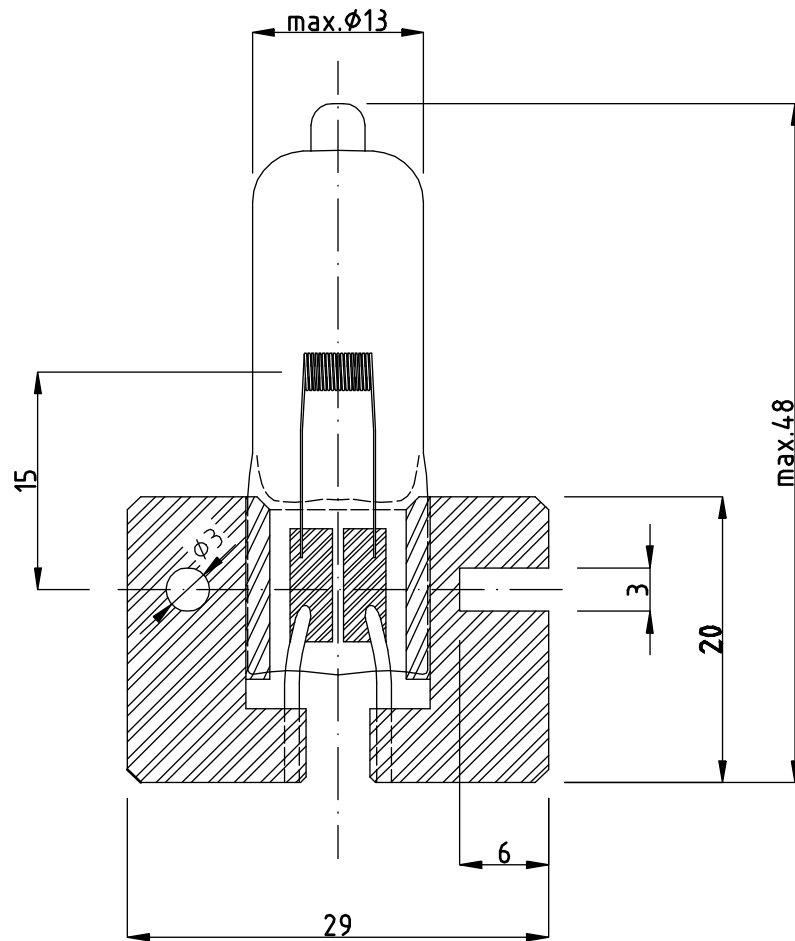


INDUSTRIAL SPECIALTY LIGHTING

Industrial medical - Datasheet



MEDICAL LAMPS - 23V 100W X-514SP EQUIVALENT ECL-0001

PRODUCT NUMBER **302847120** []

Tol.

VOLTAGE	23	V
WATTAGE	100	W
LUMEN OUTPUT	2500	LM
LUMEN PRO WATT	25	LM/W
AVERAGE LIFE	300	H
BASE	X514SP	/
REMARKS	ECL-0001PRISMATIC	
BRAND	DR. FISCHER	



MEDICAL



ENTERTAINMENT



TRAFFIC



MARINE



RAILWAY



AIRFIELD



VARIOUS



TAILOR MADE



IR / UV



PROJECTION