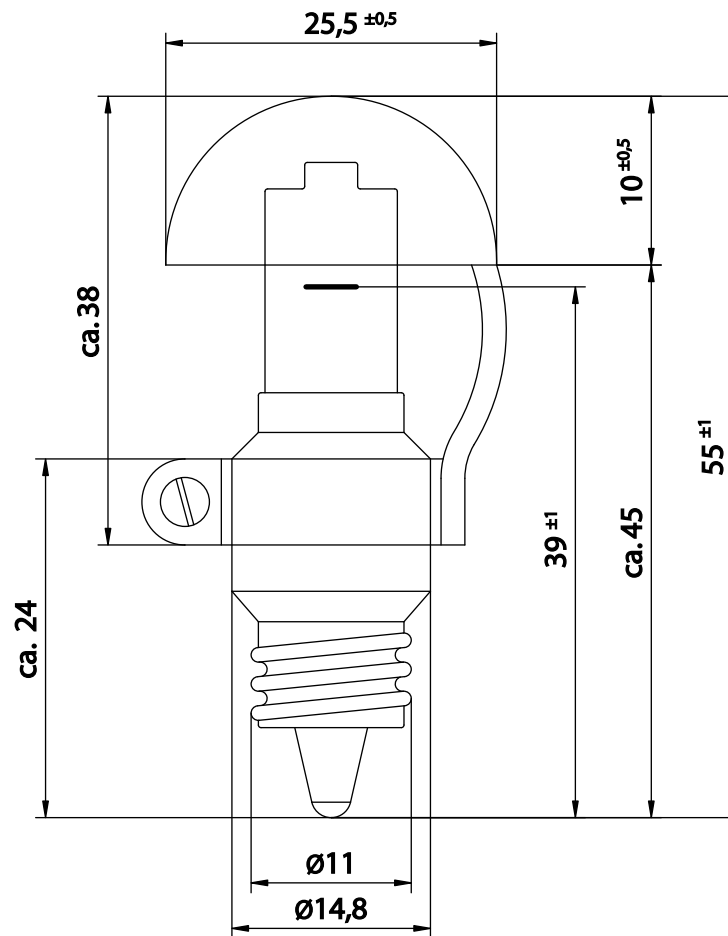


INDUSTRIAL SPECIALTY LIGHTING

Industrial medical - Datasheet



MEDICAL LAMPS - 24V 50W E11 BLACKSHIELD DR. FISCHER

PRODUCT NUMBER **302847054** []

Tol.

VOLTAGE	24	V	
WATTAGE	50	W	±10
LUMEN OUTPUT	1000	LM	±10
LUMEN PRO WATT	20	LM/W	
AVERAGE LIFE	500	H	
BASE	E11	/	
REMARKS	SH52		
BRAND	DR. FISCHER		



MEDICAL



ENTERTAINMENT



TRAFFIC



MARINE



RAILWAY



AIRFIELD



VARIOUS



TAILOR MADE



IR / UV



PROJECTION