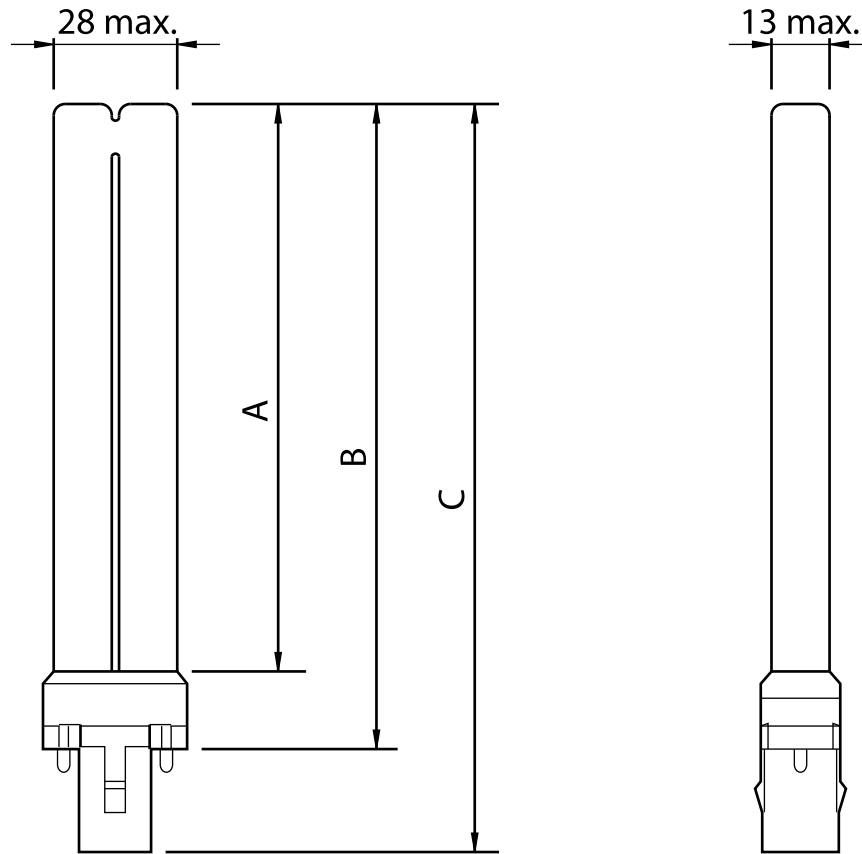


# INDUSTRIAL SPECIALTY LIGHTING

## Industrial medical - Datasheet



### MEDICAL FLUORESCENT LAMPS - PL-S 9W/12/2P UVB

<b>PRODUCT NUMBER</b>	<b>820955780</b>	[ ]
<b>WAVELENGTH (PEAK)</b>	285-350 (310-315)	NM
<b>COLOR</b>	12	/
<b>AVERAGE LIFE</b>	3000	H
<b>BULB</b>	PL-S 2P	/
<b>BASE</b>	G23	/
<b>DIMENSIONS (AxBxC)</b>	129 x x 168	MM
<b>REMARKS</b>		
<b>BRAND</b>	PHILIPS	

FOR INFORMATIONAL PURPOSES ONLY. SIL INT. BV. DISCLAIMS ALL WARRANTIES WITHOUT LIMITATION. INFORMATION MIGHT BE SUBJECT TO CHANGE.



MEDICAL



ENTERTAINMENT



TRAFFIC



MARINE



RAILWAY



AIRFIELD



VARIOUS



TAILOR MADE



IR / UV



PROJECTION



Special industrial Lighting  
 Ruysdaelbaan 3F  
 5642 JJ Eindhoven  
 The Netherlands

Tel : + 31 40 2868 913  
 Fax : + 31 40 2868 207  
 Website: [www.sillamps.com](http://www.sillamps.com)  
 Email : [silint@special.nl](mailto:silint@special.nl)